



Art.-Nr: KWID418SC-COOLIP54

Exit sign

Recessed mounting, SelfControl (SC), 8 h, 16 m, IP65, Plastic, white

Classic, robust, plastic, beam-like emergency exit sign luminaire with a high level of protection and self-adhesive pictogram for versatile use.

Intended for ceiling mounting when used as an emergency exit sign luminaire. Without the use of pictograms, it can be used as a safety luminaire, preferably for ceiling mounting.

Automatic monitoring of safety luminaire with SelfControl. The innovative integrated lens holder with a rapid fitting fixture permits the flexible use of various lens types. Using the right lens allows the distribution of light to be matched perfectly to the application and simplifies illumination which satisfies all relevant standards. A round lens and hall lens are supplied with every luminaire, allowing it to be adapted perfectly to the respective mounting situation. Other lenses, such as a spotlight lens, beam lens or H lens, are available as options.



More information

www.rp-group.com/en/item/KWID418SC-COOLIP54



TECHNICAL DATA

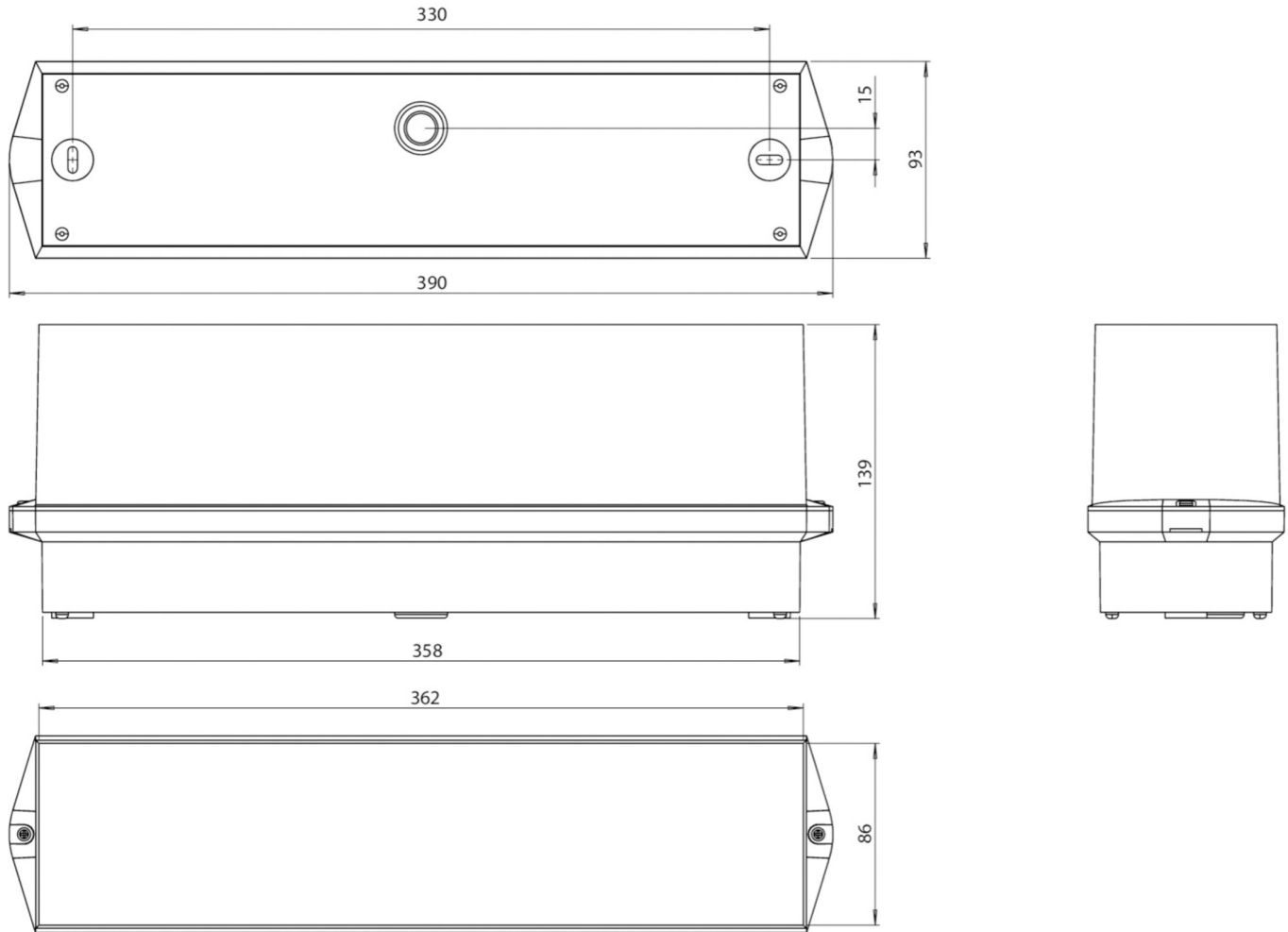
Luminaire type	Exit sign
Mounting	Recessed mounting
Recognition distance	16 m
Pictograph	Set
Illuminant	LED
Housing material	Plastic
Housing color	white
Protection type (IP)	IP65
Impact resistance (IK)	6
Certification	CE, WEEE, D-Sign
Insulation class	2
Monitoring	SelfControl (SC)
Bridging time	8 h
Battery	LiFePO4 6,4 V/1,6 Ah
Power max.	2,6 W



Power DS	1,7 W
Power BS	0,9 W
Ambient temperature DS	-5 °C - 40 °C
Ambient temperature BS	-5 °C - 40 °C
Depth	93 mm
Width	390 mm
Height	139 mm
Weight	0.8
Weight incl. packaging	0.9
Luminous flux mains	60 lm
Luminous flux emergency	60 lm
EAN	4262483022795



TECHNICAL DRAWING



ACCESSORY LIST

BKW -

As of: 01.11.2024 - Subject to technical changes and errors.