



Art.-Nr: KSU019ML-SW
Exit sign Centralised power supply systems
Universal, Central power supply (ML), CPS, 22 m, IP54,
Plastic, white

Innovative plastic emergency exit sign luminaire for universal mounting. Suited to inscription on one or two sides.



Thanks to the snap-in mechanism between the upper and lower part, the luminaire has a harmonious look and appears closed all the way round. The luminaire is connected to the mains in the ceiling section. When closed, the luminaire is powered via contact plugs. This greatly simplifies mounting and makes convenient connection possible despite the small size of the luminaire.

Control and monitoring via central power supply system. The innovative integrated lens holder with a rapid fitting fixture permits the flexible use of various lens types. Using the right lens allows the distribution of light to be matched perfectly to the application and simplifies illumination which satisfies all relevant standards. A round lens and hall lens are supplied with every luminaire, allowing it to be adapted perfectly to the respective mounting situation. Other lenses, such as a spotlight lens, beam lens or H lens, are available as options. Universal mounting includes fitting on the wall and ceiling as well as the option of fitting in the ceiling in conjunction with the mounting frame available.



More information

www.rp-group.com/en/item/KSU019ML-SW



TECHNICAL DATA

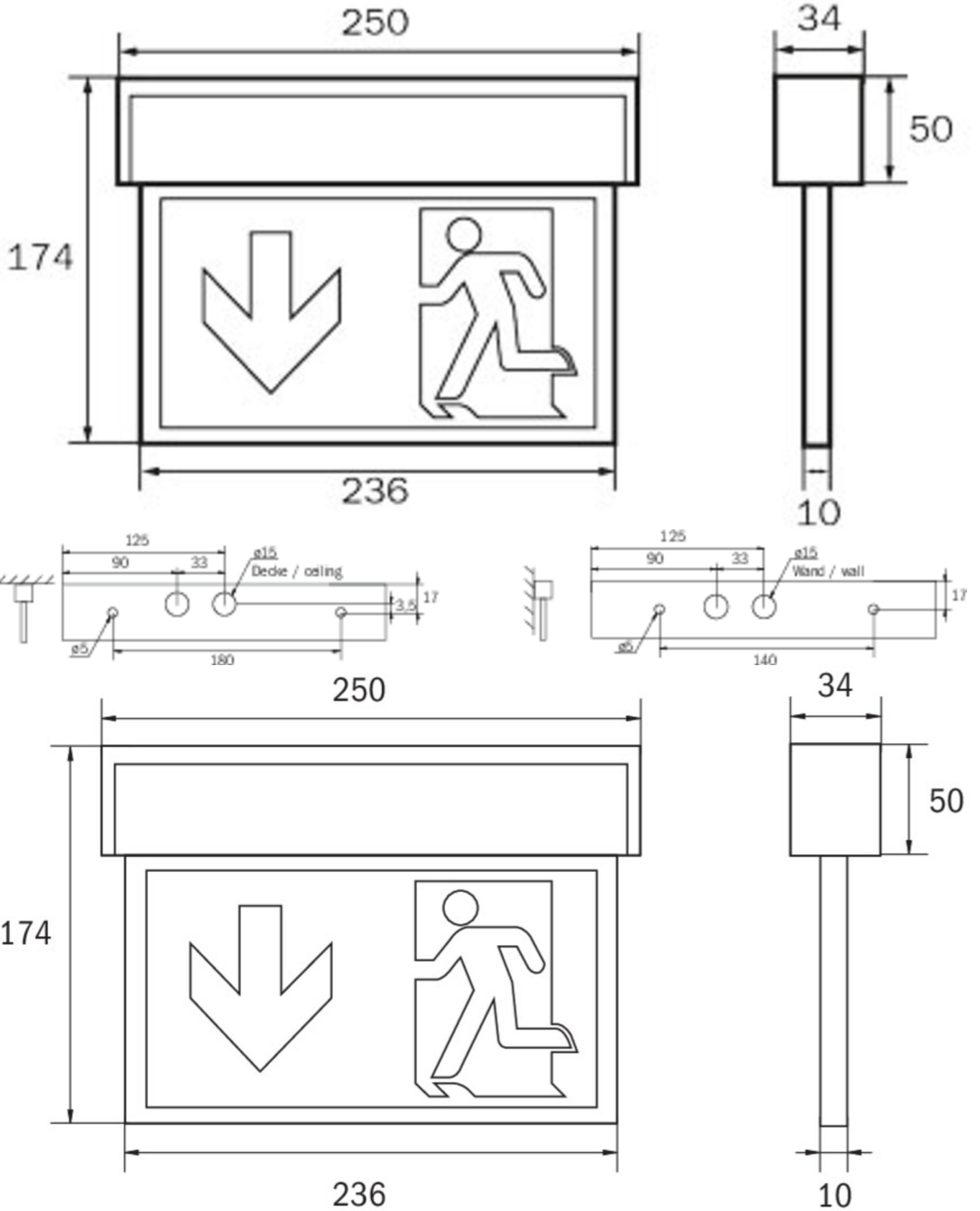
Luminaire type	Exit sign
Mounting	Universal
Recognition distance	22 m
Pictograph	Set
Illuminant	LED
Housing material	Plastic
Housing color	white
Protection type (IP)	IP54
Impact resistance (IK)	≥ 3
Certification	WEEE, CE
Insulation class	2
Supply	Centralised power supply systems



Monitoring	Central power supply (ML)
Bridging time	CPS
Battery	/
Operating mode	single luminaire switching
Input voltage AC	230 V
Input frequency	50 / 60 Hz
Input voltage DC	216 V
Power max.	3,2 W
Power DS	3,2 W
Power BS	1 W
Ambient temperature DS	-30 °C - 40 °C
Ambient temperature BS	-30 °C - 40 °C
Depth	34 mm
Width	250 mm
Height	174 mm
Weight	0.62
Weight incl. packaging	0.7
Connection cross-section	1.5 mm ²
Switching input	No
Emergency light blocking	No
Battery connection	No
Dimming function	Yes
Luminous flux mains	220 lm
Luminous flux emergency	220 lm
Customs tariff number	94056120
EAN	4260766553806



TECHNICAL DRAWING





ACCESSORY LIST

KME-EB - Mounting frame

AWKSU - Wall bracket

2PW-EB - Pendant

KMBE - Concrete-mounted box

BALLPLX-KMU - Wire mesh surround

DSA - Wire suspension

KSE-MB-WS - Mounting frame

KSE-MB-SI - Mounting frame

As of: 23.08.2024 - Subject to technical changes and errors.