



Art.-Nr: KSU018WL-SW
Exit sign Single Battery
Universal, Wireless Professional, 8 h, 22 m, IP54, Plastic,
Black

Innovative polycarbonate edge LED luminaire for universal mounting. The installation using only 3 parts is kept simple.

Applicable for maintained or non-maintained operation mode. The toolless change and variable use of the pictograms provide planning security. Universal pictogram set (left, right, up, down) included. Exit sign according to EN 60598-1, EN 605982-22 and EN 1838 norms.



More information



TECHNICAL DATA

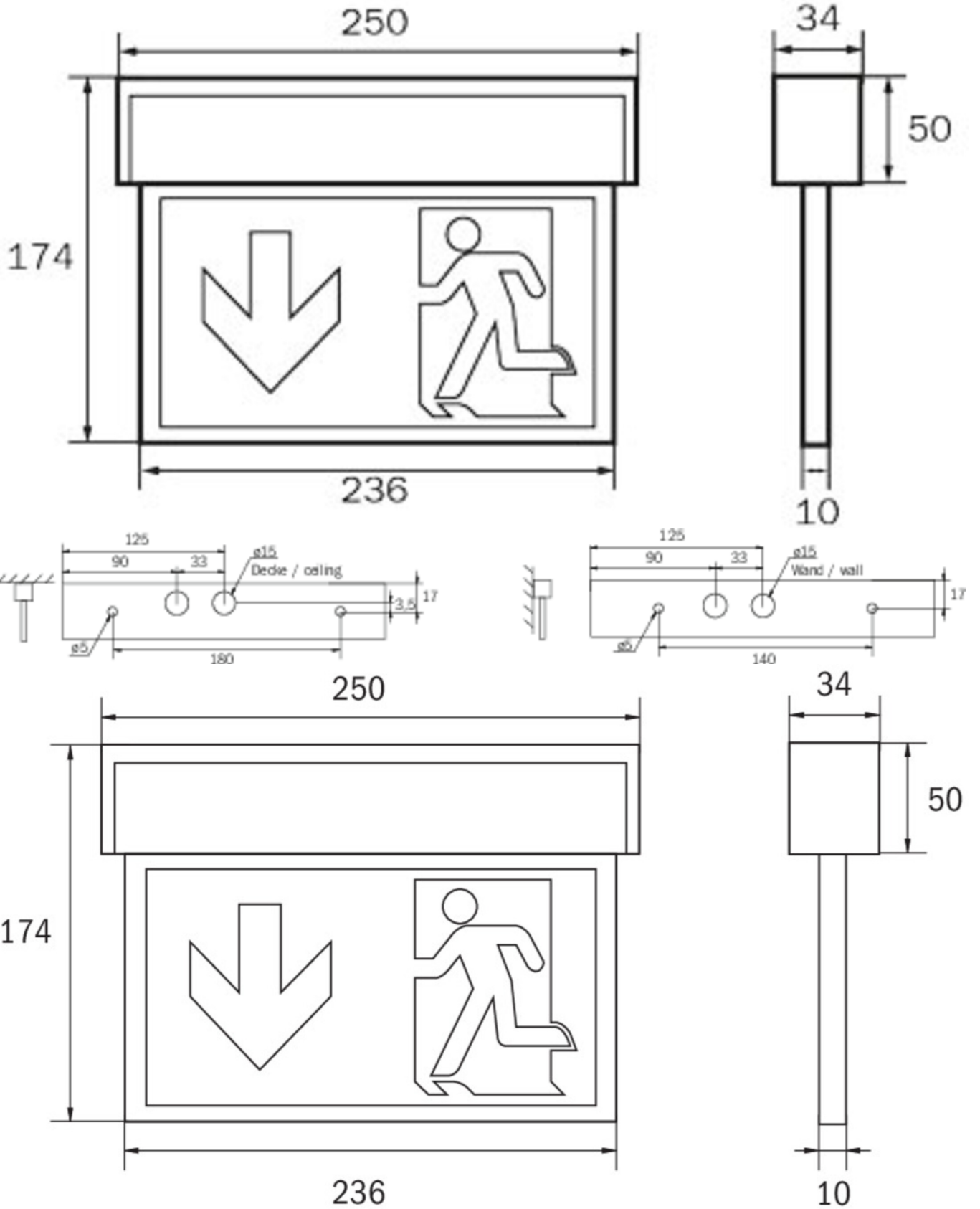
Luminaire type	Exit sign
Mounting	Universal
Recognition distance	22 m
Pictograph	Set
Illuminant	LED
Housing material	Plastic
Housing color	Black
Protection type (IP)	IP54
Impact resistance (IK)	≥ 3
Certification	WEEE, CE
Insulation class	2
Supply	Single Battery
Monitoring	Wireless Professional
Bridging time	8 h
Battery	LiFePO4 3,2 V / 3,3 Ah LiFePO4 - Lithium Iron Phosphate Battery
Operating mode	Standby circuit / permanent circuit
Input voltage AC	230 V
Input frequency	50 / 60 Hz
Input voltage DC	- V
Power max.	5,3 W



Power DS	3,9 W
Power BS	1,5 W
Ambient temperature DS	-5 °C - 40 °C
Ambient temperature BS	-5 °C - 40 °C
Depth	34 mm
Width	250 mm
Height	174 mm
Weight	0.7
Weight incl. packaging	0.78
Connection cross-section	2.5 mm ²
Switching input	Yes
Emergency light blocking	No
Battery connection	Connector
Dimming function	No
Luminous flux mains	190 lm
Luminous flux emergency	85 lm
Customs tariff number	94056120



TECHNICAL DRAWING





ACCESSORY LIST

KME-EB -
AWKSU -
2PW-EB -
KMBE -
BALLPLX-KMU -
DSA -
KSE-MB-WS -
KSE-MB-SI -

As of: 17.07.2024 - Subject to technical changes and errors.