



Art.-Nr: KSU003SC
Exit sign Single Battery
Universal, SelfControl (SC), 3 h, 22 m, IP54, Plastic, white

Innovative plastic emergency exit sign luminaire for universal mounting. Suited to inscription on one or two sides.

Thanks to the snap-in mechanism between the upper and lower part, the luminaire has a harmonious look and appears closed all the way round. The luminaire is connected to the mains in the ceiling section. When closed, the luminaire is powered via contact plugs. This greatly simplifies mounting and makes convenient connection possible despite the small size of the luminaire.

Automatic monitoring of safety luminaire with SelfControl. The innovative integrated lens holder with a rapid fitting fixture permits the flexible use of various lens types. Using the right lens allows the distribution of light to be matched perfectly to the application and simplifies illumination which satisfies all relevant standards. A round lens and hall lens are supplied with every luminaire, allowing it to be adapted perfectly to the respective mounting situation. Other lenses, such as a spotlight lens, beam lens or H lens, are available as options. Universal mounting includes fitting on the wall and ceiling as well as the option of fitting in the ceiling in conjunction with the mounting frame available.



More information

www.rp-group.com/en/item/KSU003SC



TECHNICAL DATA

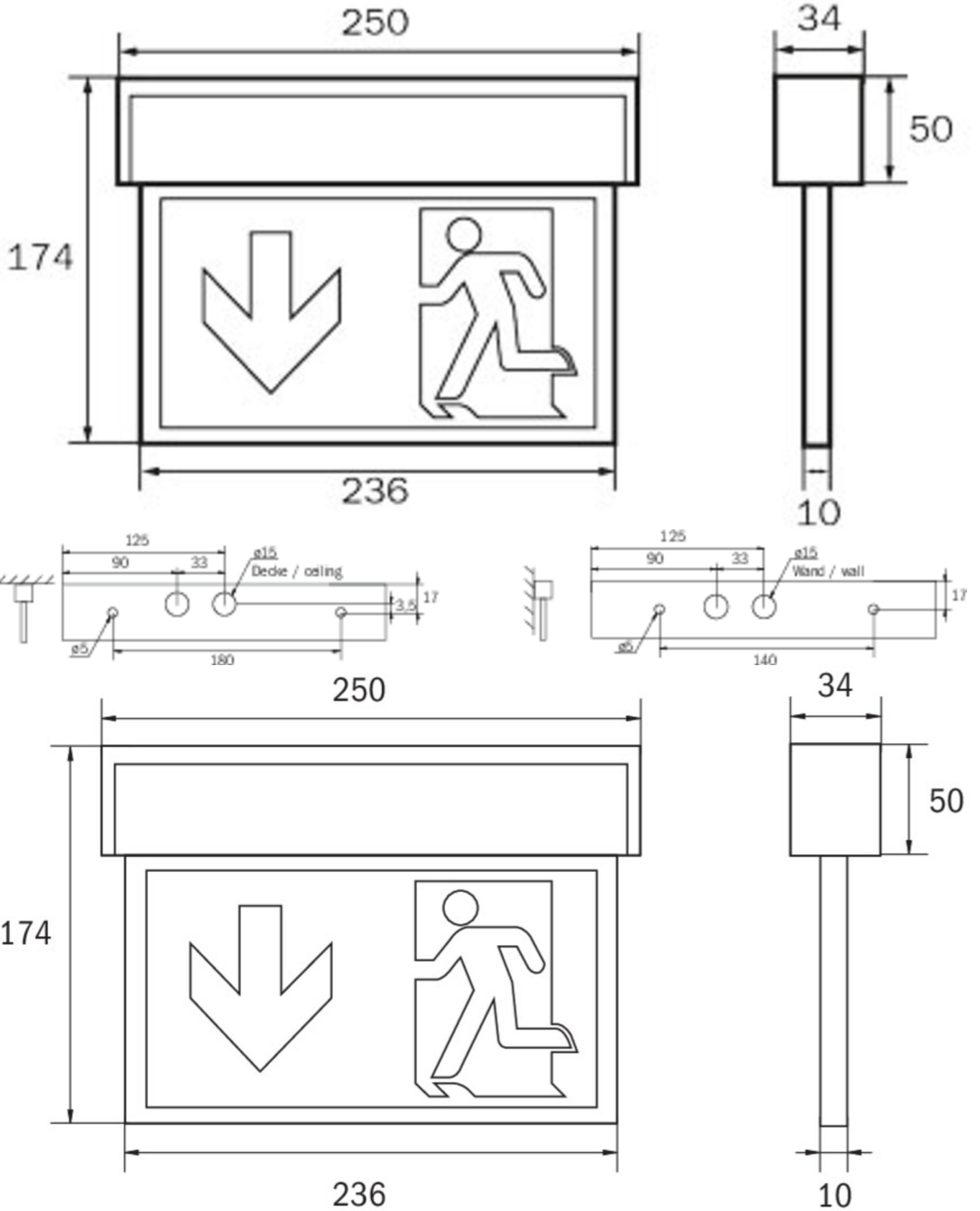
Luminaire type	Exit sign
Mounting	Universal
Recognition distance	22 m
Pictograph	Set
Illuminant	LED
Housing material	Plastic
Housing color	white
Protection type (IP)	IP54
Impact resistance (IK)	≥ 3
Certification	WEEE, CE
Insulation class	2
Supply	Single Battery
Monitoring	SelfControl (SC)



Bridging time	3 h
Battery	4,8V V 0,5Ah Ah/
Operating mode	Standby circuit / permanent circuit
Input voltageAC	230 V
Input frequency	50 Hz
Input voltage DC	- V
Power max.	3,1 W
Power DS	3,1 W
Power BS	1,4 W
Ambient temperature DS	-5 °C - 35 °C
Ambient temperature BS	-5 °C - 35 °C
Depth	34 mm
Width	250 mm
Height	174 mm
Weight	0.71
Weight incl. packaging	0.79
Connection cross-section	2.5 mm ²
Switching input	Yes
Emergency light blocking	No
Battery connection	Connector
Dimming function	No
Customs tariff number	94056120
EAN	4260349824002



TECHNICAL DRAWING





ACCESSORY LIST

KME-EB - Mounting frame
 AWKSU - Wall bracket
 2PW-EB - Pendant
 KMBE - Concrete-mounted box
 BALLPLX-KMU - Wire mesh surround
 DSA - Wire suspension
 KSE-MB-WS - Mounting frame
 KSE-MB-SI - Mounting frame

RELATED PRODUCTS

Art.-No.	Image	Monitoring	Supply	Color	Investment	Automatic log	Maintenance level	Remote maintenance	max. luminaires	Single luminaire monitoring
KSU003		Without monitoring		RAL 9003						
KSU003BC		Bus control		RAL 9003						
KSU013SC		SelfControl (SC)	Single battery	RAL 9003	€	no	high	no	unlimited	itself
KSU013SC-G10		SelfControl (SC)	Single battery	RAL 9003	€	no	high	no	unlimited	itself
KSU013WB		Wireless Basic (WB)	Single battery	RAL 9003	€€	yes	low	yes	50	central
KSU013WL		Wireless Professional (WL)	Single battery	RAL 9003	€€	yes	low	yes	1,000 per system	central
KSU013WL-G10		Wireless Professional (WL)	Single battery	RAL 9003	€€	yes	low	yes	1,000 per system	central

As of: 23.08.2024 - Subject to technical changes and errors.