



**Art.-Nr: KMMU018SC**  
**Exit sign Single Battery**  
**Universal, SelfControl (SC), 8 h, 24 m, IP43, Plastic, white**

Slim convex emergency exit sign luminaire with clear, closed surround, which tapers downwards in a continuous and symmetrical manner. Suited to inscription on one or two sides. The pictograms are on the inside and are inserted without the use of solvents.

Thanks to the snap-in mechanism between the upper and lower part, the luminaire has a harmonious look and appears closed all the way round. The luminaire is connected to the mains in the ceiling section. When closed, the luminaire is powered via contact plugs. This greatly simplifies mounting and makes convenient connection possible despite the small size of the luminaire.

Automatic monitoring of safety luminaire with SelfControl. The innovative integrated lens holder with a rapid fitting fixture permits the flexible use of various lens types. Using the right lens allows the distribution of light to be matched perfectly to the application and simplifies illumination which satisfies all relevant standards. A round lens and hall lens are supplied with every luminaire, allowing it to be adapted perfectly to the respective mounting situation. Other lenses, such as a spotlight lens, beam lens or H lens, are available as options. Universal mounting includes fitting on the wall and ceiling as well as the option of fitting in the ceiling in conjunction with the mounting frame available.



More information  
[www.rp-group.com/en/item/KMMU018SC](http://www.rp-group.com/en/item/KMMU018SC)



## TECHNICAL DATA

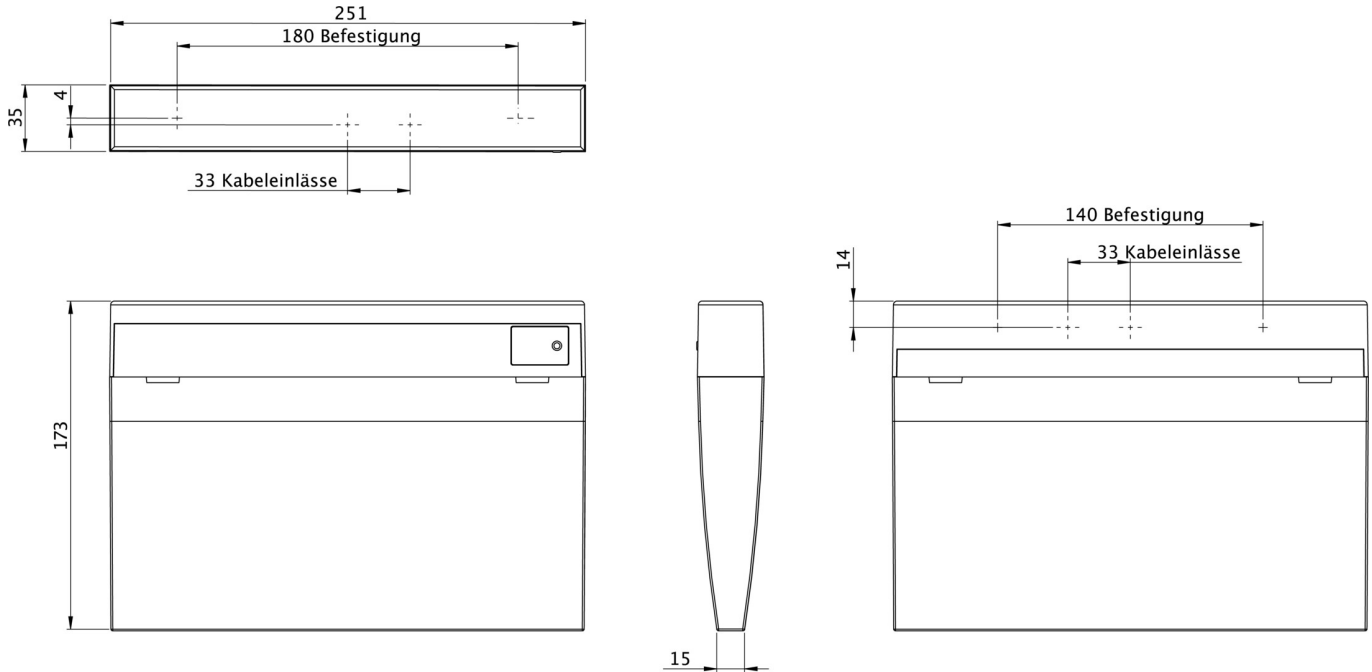
Luminaire type	Exit sign
Mounting	Universal
Recognition distance	24 m
Pictograph	Set
Illuminant	LED
Housing material	Plastic
Housing color	white
Protection type (IP)	IP43
Impact resistance (IK)	3
Certification	WEEE, CE
Insulation class	2
Supply	Single Battery



Monitoring	SelfControl (SC)
Bridging time	8 h
Battery	3,2V V 3,3Ah Ah/
Operating mode	Standby circuit / permanent circuit
Input voltageAC	230 V
Input frequency	50 / 60 Hz
Input voltage DC	- V
Power max.	4,6 W
Power DS	3,9 W
Power BS	1,5 W
Ambient temperature DS	-5 °C - 40 °C
Ambient temperature BS	-5 °C - 40 °C
Depth	35 mm
Width	251 mm
Height	173 mm
Weight	0.7
Weight incl. packaging	0.8
Connection cross-section	2.5 mm <sup>2</sup>
Switching input	Yes
Emergency light blocking	No
Battery connection	Connector
Dimming function	No
Luminous flux mains	190 lm
Luminous flux emergency	85 lm
Customs tariff number	94056120
EAN	4260659566548



## TECHNICAL DRAWING



## ACCESSORY LIST

- DSA - Wire suspension
- KME-EB - Mounting frame
- KMBE - Concrete-mounted box
- AWKSU - Wall bracket
- 2PW-EB - Pendant
- BALLPLX-KMU - Wire mesh surround
- LFP3233.01 - CS\_VALUE\_BatteryTechnology. Battery

## RELATED PRODUCTS

Art.-No.	Image	Monitoring	Supply	Color	Investment	Automatic log	Maintenance level	Remote maintenance	max. luminaires	Single luminaire monitoring
KMMU018WB		Wireless Basic (WB)	Single battery	RAL 9003	€€	yes	low	yes	50	central
KMMU018WL		Wireless Professional (WL)	Single battery	RAL 9003	€€	yes	low	yes	1,000 per system	central

As of: 23.08.2024 - Subject to technical changes and errors.