



**Art.-Nr: KMB418SC-TT**  
**Safety luminaire Single Battery**  
**Universal, SelfControl (SC), 8 h, , IP54, Plastic, white**

Compact safety luminaire for universal mounting. The narrow rectangular plastic housing is discreetly reduced to the essentials. Illumination of the escape and emergency routes is assisted by the optics integrated in the surround.

Universal mounting includes fitting on the wall and ceiling as well as the option of fitting in the ceiling in conjunction with the mounting frame available.

Automatic monitoring of safety luminaire with SelfControl. Universal mounting includes fitting on the wall and ceiling as well as the option of fitting in the ceiling in conjunction with the mounting frame available.



More information

[www.rp-group.com/en/item/KMB418SC-TT](http://www.rp-group.com/en/item/KMB418SC-TT)



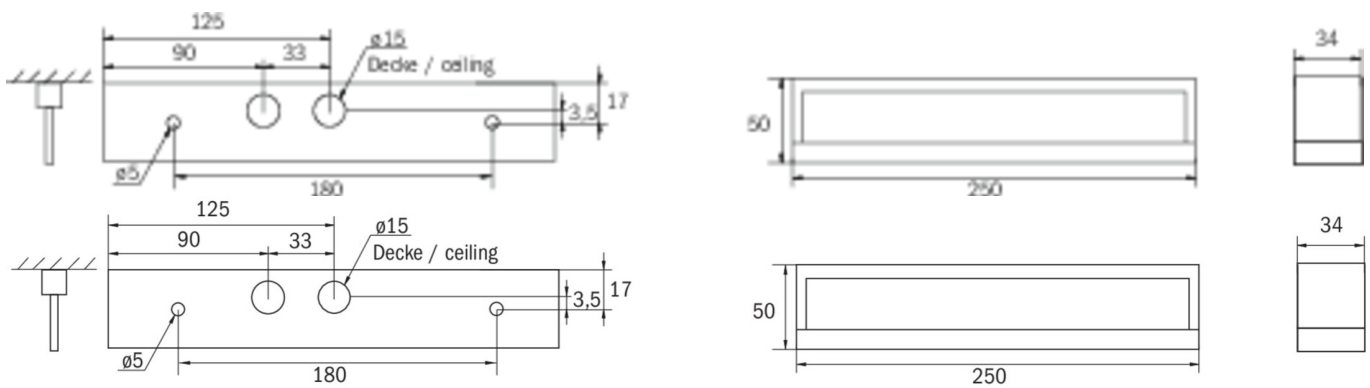
## TECHNICAL DATA

Luminaire type	Safety luminaire
Mounting	Universal
Pictograph	No
Illuminant	LED
Housing material	Plastic
Housing color	white
Protection type (IP)	IP54
Impact resistance (IK)	≥ 3
Certification	WEEE, CE
Insulation class	2
Supply	Single Battery
Monitoring	SelfControl (SC)
Bridging time	8 h
Battery	/
Operating mode	Standby circuit / permanent circuit
Input voltage AC	230 V
Input frequency	50 / 60 Hz
Input voltage DC	- V
Power max.	5,3 W



Power DS	3,9 W
Power BS	1,5 W
Ambient temperature DS	-25 °C - 40 °C
Ambient temperature BS	-25 °C - 40 °C
Depth	250 mm
Width	34 mm
Height	50 mm
Weight	0.5
Weight incl. packaging	0.57
Connection cross-section	2.5 mm <sup>2</sup>
Switching input	Yes
Emergency light blocking	No
Battery connection	Connector
Dimming function	No
Luminous flux mains	190 lm
Luminous flux emergency	85 lm
EAN	4262483022764

## TECHNICAL DRAWING





## ACCESSORY LIST

KME-EB - Mounting frame

BALL1 - Wire mesh guard

KMBE - Concrete-mounted box

BALLPLX-KMB - Wire mesh surround

KMBFH -

As of: 30.08.2024 - Subject to technical changes and errors.