



Art.-Nr: KMB411SC
Safety luminaire Single Battery
Universal, SelfControl (SC), 1 h , IP54, Plastic, white

Compact safety luminaire for universal mounting. The narrow rectangular plastic housing is discreetly reduced to the essentials. Illumination of the escape and emergency routes is assisted by the optics integrated in the surround.

Universal mounting includes fitting on the wall and ceiling as well as the option of fitting in the ceiling in conjunction with the mounting frame available.

Automatic monitoring of safety luminaire with SelfControl. The luminaire is fitted with the innovative flexible plug-in system for rapid use of the right lens. The hall lens is supplied with every luminaire. A round lens, spotlight lens and beam lens are available as options. Universal mounting includes fitting on the wall and ceiling as well as the option of fitting in the ceiling in conjunction with the mounting frame available.



More information

www.rp-group.com/en/item/KMB411SC



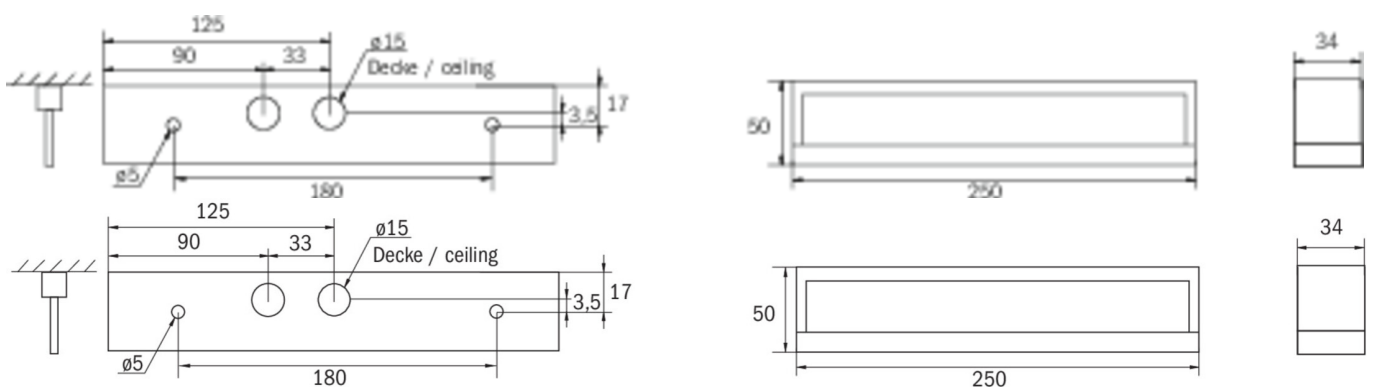
TECHNICAL DATA

Luminaire type	Safety luminaire
Mounting	Universal
Pictograph	No
Illuminant	LED
Housing material	Plastic
Housing color	white
Protection type (IP)	IP54
Impact resistance (IK)	≥ 3
Certification	WEEE, CE
Insulation class	2
Supply	Single Battery
Monitoring	SelfControl (SC)
Bridging time	1 h
Battery	/
Operating mode	Standby circuit / permanent circuit
Input voltageAC	230 V
Input frequency	50 / 60 Hz



Input voltage DC	- V
Power max.	4,6 W
Power DS	3,3 W
Power BS	1 W
Ambient temperature DS	-10 °C - 40 °C
Ambient temperature BS	-5 °C - 40 °C
Depth	250 mm
Width	34 mm
Height	50 mm
Weight	0.5
Weight incl. packaging	0.57
Connection cross-section	2.5 mm ²
Switching input	Yes
Emergency light blocking	No
Battery connection	Connector
Dimming function	No
Luminous flux mains	190 lm
Luminous flux emergency	190 lm
Customs tariff number	94056180
EAN	4262483020616

TECHNICAL DRAWING





ACCESSORY LIST

KME-EB - Mounting frame

BALL1 - Wire mesh guard

KMBE - Concrete-mounted box

BALLPLX-KMB - Wire mesh surround

KMBFH -

As of: 23.08.2024 - Subject to technical changes and errors.