



Art.-Nr: KMB411SC-SW
Safety luminaire Single Battery
Universal, SelfControl, 1 h, , IP54, Plastic, Black

Compact emergency luminaire for the illumination of escape and rescue routes with prismatic cover for optimized light distribution. This is made possible by the with the High-Power SMD LEDs wick also have an really long live spand of around 50000 h. These luminaires are available for central battery systems or as a selfcontained luminaire. The optional recessed mounting frame hides the luminaire elegantly within the ceiling.

Housing color in black RAL 9005



More information



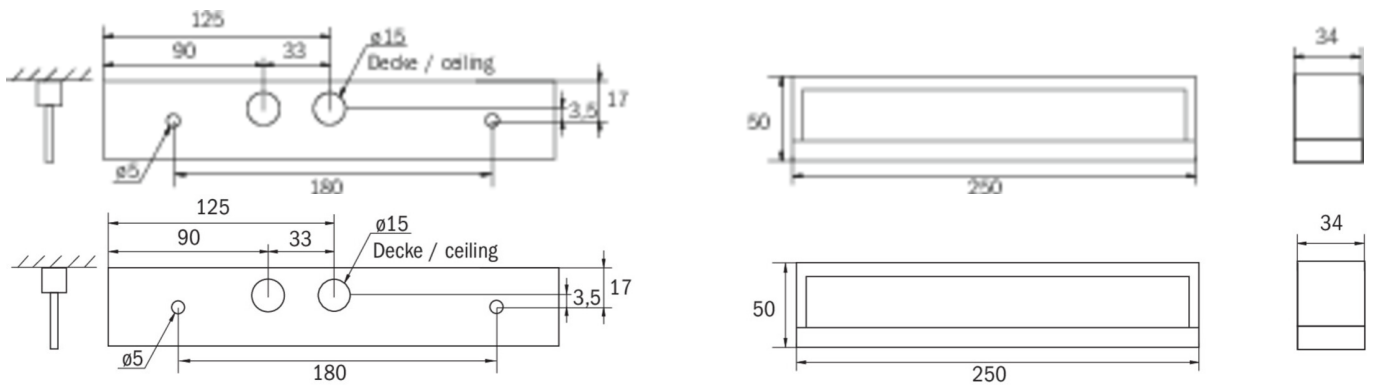
TECHNICAL DATA

Luminaire type	Safety luminaire
Mounting	Universal
Pictograph	No
Illuminant	LED
Housing material	Plastic
Housing color	Black
Protection type (IP)	IP54
Impact resistance (IK)	≥ 3
Certification	WEEE, CE
Insulation class	2
Supply	Single Battery
Monitoring	SelfControl
Bridging time	1 h
Operating mode	Standby circuit / permanent circuit
Input voltage AC	230 V
Input frequency	50 / 60 Hz
Input voltage DC	- V
Power max.	4,6 W
Power DS	3,3 W
Power BS	1 W



Ambient temperature DS	-10 °C - 40 °C
Ambient temperature BS	-5 °C - 40 °C
Depth	250 mm
Width	34 mm
Height	50 mm
Weight	0.5
Weight incl. packaging	0.57
Connection cross-section	2.5 mm ²
Switching input	Yes
Emergency light blocking	No
Battery connection	Connector
Dimming function	No
Luminous flux mains	190 lm
Luminous flux emergency	190 lm
Customs tariff number	94056180
EAN	4262483020692

TECHNICAL DRAWING



ACCESSORY LIST

- KME-EB -
- BALL1 -
- KMBE -
- BALLPLX-KMB -
- KMBFH -

As of: 16.07.2024 - Subject to technical changes and errors.