



Art.-Nr: KMB013SC-COOL
Safety luminaire Single Battery
Ceiling mounting, SelfControl (SC), 3 h, , IP54, Plastic, white

Compact emergency luminaire for the illumination of escape and rescue routes with prismatic cover for optimized light distribution. This is made possible by the with the High-Power SMD LEDs wick also have an really long live spand of around 50000 h. These luminaires are available for central battery systems or as a selfcontained luminaire. The optional recessed mounting frame hides the luminaire elegantly within the ceiling.

The COOL light is equipped with an external battery housing for installation in the building. The installation of the lamp can be done outdoors or in cold stores.

Automatic monitoring of safety luminaire with SelfControl. The luminaire is fitted with the innovative flexible plug-in system for rapid use of the right lens. The hall lens is supplied with every luminaire. A round lens, spotlight lens and beam lens are available as options. Universal mounting includes fitting on the wall and ceiling as well as the option of fitting in the ceiling in conjunction with the mounting frame available.



More information

www.rp-group.com/en/item/KMB013SC-COOL



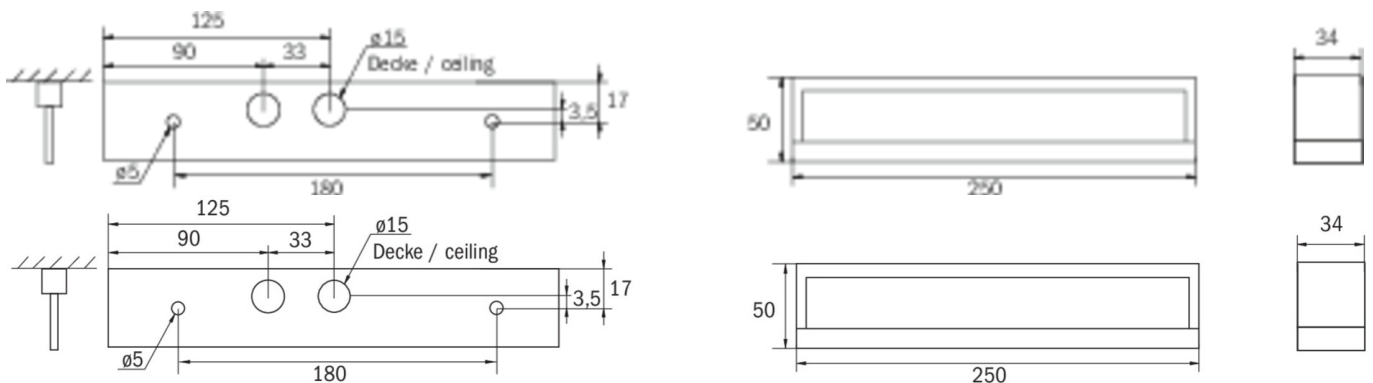
TECHNICAL DATA

Luminaire type	Safety luminaire
Mounting	Ceiling mounting
Pictograph	No
Illuminant	LED
Housing material	Plastic
Housing color	white
Protection type (IP)	IP54
Impact resistance (IK)	≥ 3
Certification	WEEE, CE, TÜV Rheinland Type approved, ENEC
Insulation class	2
Supply	Single Battery
Monitoring	SelfControl (SC)
Bridging time	3 h
Battery	3,2V V 3,3Ah Ah/



Operating mode	Standby circuit / permanent circuit
Input voltage AC	230 V
Input frequency	50 / 60 Hz
Input voltage DC	- V
Power max.	5,3 W
Power DS	3,9 W
Power BS	1,5 W
Ambient temperature DS	-25 °C - 40 °C
Ambient temperature BS	-25 °C - 40 °C
Depth	250 mm
Width	34 mm
Height	50 mm
Weight	0.58
Weight incl. packaging	0.65
Connection cross-section	2.5 mm ²
Switching input	Yes
Emergency light blocking	No
Battery connection	Connector
Dimming function	No
Luminous flux mains	190 lm
Luminous flux emergency	190 lm
Customs tariff number	94056120
EAN	4260581719937

TECHNICAL DRAWING





ACCESSORY LIST

KME-EB - Mounting frame

BALL1 - Wire mesh guard

KMBE - Concrete-mounted box

BALLPLX-KMB - Wire mesh surround

KMBFH -

As of: 23.08.2024 - Subject to technical changes and errors.