



GROUP

SOLUTIONS IN SAFETY + LIGHTING

www.rp-group.com

Art.-Nr: KCW029-IP64-COOL

Safety luminaire Centralised power supply systems Universal, Without monitoring, CPS, , IP64, Plastic, white

Slightly curved high-grade exit sign and emergency luminaire in plastic for wall mounting. Signage with pluggable, solvent-free, internally mounted pictogram. Pictogram set included. This luminaire can be used without pictogram as an emergency lighting luminaire with a clear cover. Escape route/Exit sign/ emergency luminaire according to EN 60598-1, EN 60598-2-22 and EN 1838 norms.

The COOL light is equipped with an external battery housing for installation in the building. The installation of the lamp can be done outdoors or in cold stores.

The luminaire is fitted with the innovative [flexible plug-in system](#) for rapid use of the right lens. The hall lens is supplied with every luminaire. A round lens, spotlight lens and beam lens are available as options.



More information

[www.rp-group.com/en/item/
KCW029-IP64-COOL](http://www.rp-group.com/en/item/KCW029-IP64-COOL)

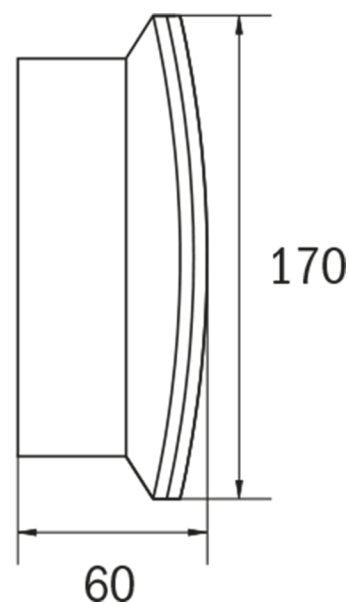
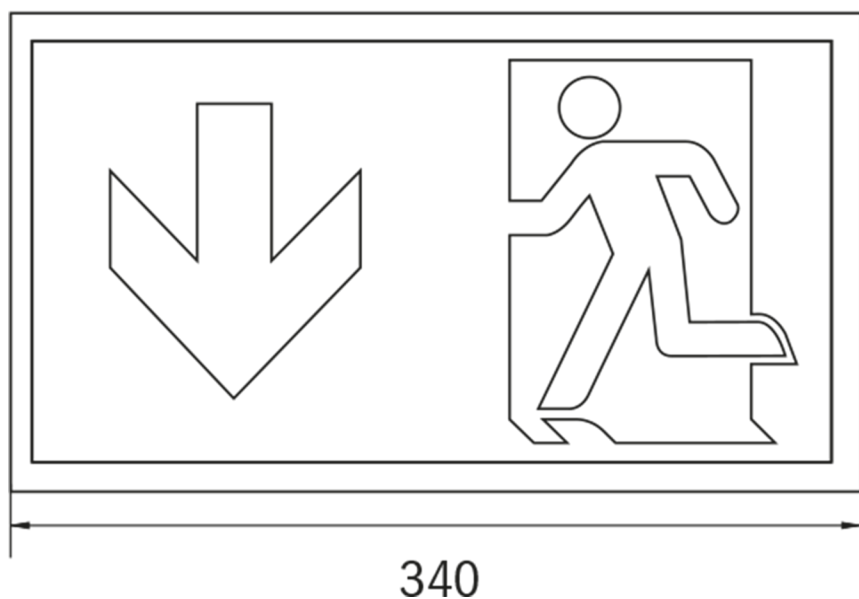


Technical Data

Luminaire type	Safety luminaire
Mounting	Universal
Pictograph	No
Illuminant	LED
Housing material	Plastic
Housing color	white
Protection type (IP)	IP64
Impact resistance (IK)	6
Certification	WEEE, CE, TÜV Rheinland Type approved, ENEC
Insulation class	2

Supply	Centralised power supply systems
Monitoring	Without monitoring
Bridging time	CPS
Battery	/
Operating mode	Permanent circuit
Input voltage AC	230 V
Input frequency	50 / 60 Hz
Input voltage DC	100-254 V
Power max.	4,6 W
Power DS	4,6 W
Power BS	0 W
Ambient temperature DS	-25 °C - 40 °C
Ambient temperature BS	-25 °C - 40 °C
Depth	60 mm
Width	340 mm
Height	170 mm
Weight	0.69
Weight incl. packaging	0.78
Connection cross-section	1.5 mm ²
Switching input	No
Emergency light blocking	No
Battery connection	No
Dimming function	No
Luminous flux mains	520 lm
Luminous flux emergency	520 lm
Customs tariff number	94056120
EAN	4260581719302

Technical drawing



Accessory List

- BALL2 - Wire mesh guard
- DWKCW -
- KC-IP65 -

KCER - Mounting frame

KCWFH - Wall holder

As of: 06.11.2024 - Subject to technical changes and errors.