



Art.-Nr: KCD019ML-BZS
Exit sign Centralised power supply systems
Ceiling, ML, CPS, 30 m, IP40, Plastic, white

Slightly curved high-grade exit sign and emergency luminaire in polycarbonate for wall mounting. Signage with pluggable, solvent-free, internally mounted pictogram. Pictogram set included. This luminaire can be used without pictogram as an emergency lighting luminaire with a clear cover. Escape route/Exit sign/emergency luminaire according to EN 60598-1, EN 60598-2-22 and EN 1838 norms.



[More information](#)



TECHNICAL DATA

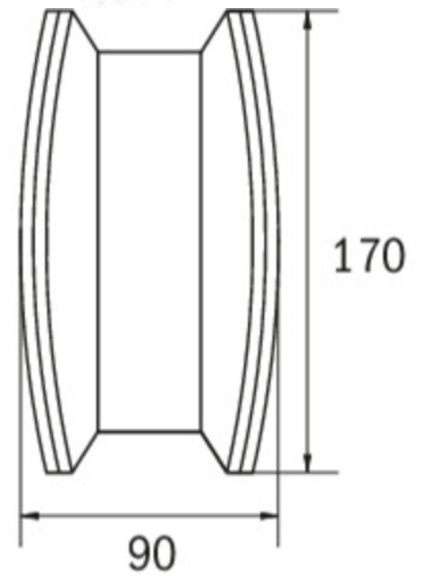
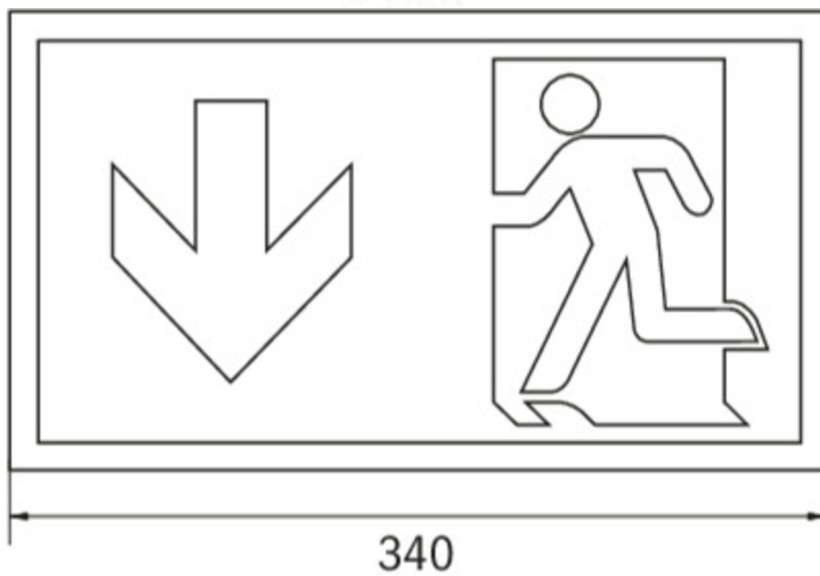
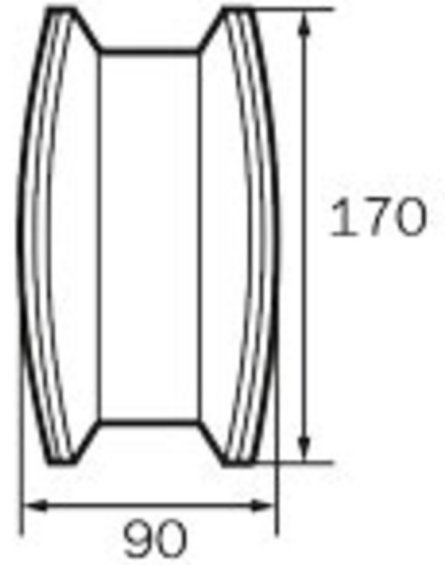
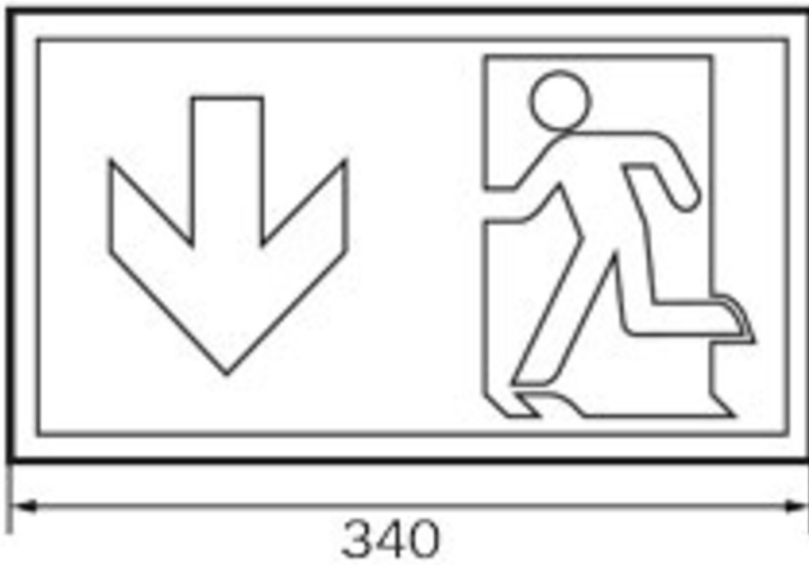
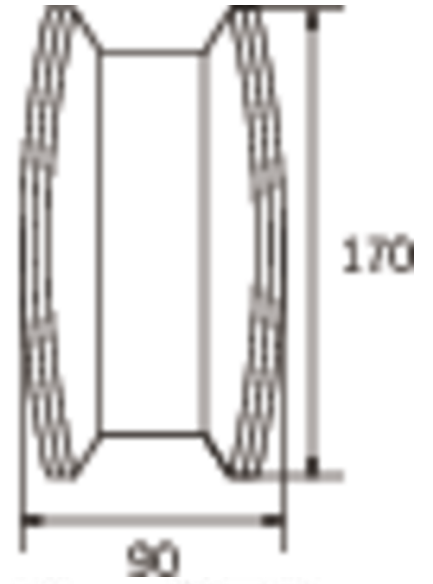
Luminaire type	Exit sign
Mounting	Ceiling
Recognition distance	30 m
Pictograph	Set
Illuminant	LED
Housing material	Plastic
Housing color	white
Protection type (IP)	IP40
Impact resistance (IK)	≥ 3
Certification	WEEE, CE, TÜV Rheinland Type approved, ENEC, D-Sign
Insulation class	1
Supply	Centralised power supply systems
Monitoring	ML
Bridging time	CPS
Operating mode	single luminaire switching
Input voltage AC	230 V
Input frequency	50 / 60 Hz
Input voltage DC	216 V
Power max.	5,2 W
Power DS	5,2 W
Power BS	1,1 W



Depth	90 mm
Width	340 mm
Height	170 mm
Weight	0.93
Weight incl. packaging	1.04
Connection cross-section	2.5 mm ²
Switching input	Yes
Emergency light blocking	No
Battery connection	No
Dimming function	Yes
Luminous flux mains	335 lm
Luminous flux emergency	335 lm
Customs tariff number	94056120
Country of origin	DEUTSCHLAND
EAN	4260682150240



TECHNICAL DRAWING





ACCESSORY LIST

KCAWW -

DSA -

2PW-EB -

WKL -

As of: 09.07.2024 - Subject to technical changes and errors.