



Art.-Nr: KCD013SC
Exit sign Single Battery
Recessed mounting, SelfControl (SC), 3 h, 30 m, IP40, Plastic, white

Slim convex plastic emergency exit sign luminaire for ceiling mounting. Suited to inscription on one or two sides. The plug-in set of pictograms is fitted on the inside without the use of solvents.

Automatic monitoring of safety luminaire with SelfControl. The innovative integrated lens holder with a rapid fitting fixture permits the flexible use of various lens types. Using the right lens allows the distribution of light to be matched perfectly to the application and simplifies illumination which satisfies all relevant standards. A round lens and hall lens are supplied with every luminaire, allowing it to be adapted perfectly to the respective mounting situation. Other lenses, such as a spotlight lens, beam lens or H lens, are available as options.



More information
www.rp-group.com/en/item/KCD013SC



TECHNICAL DATA

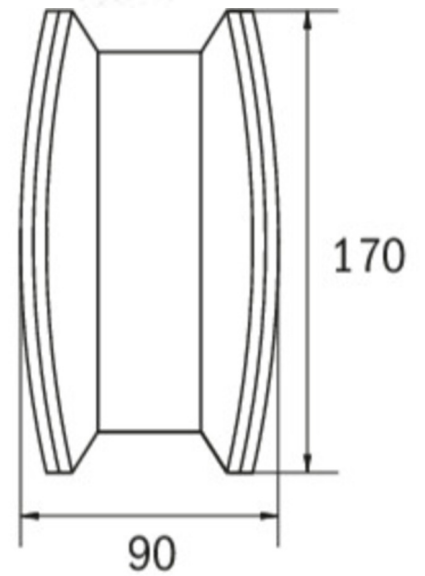
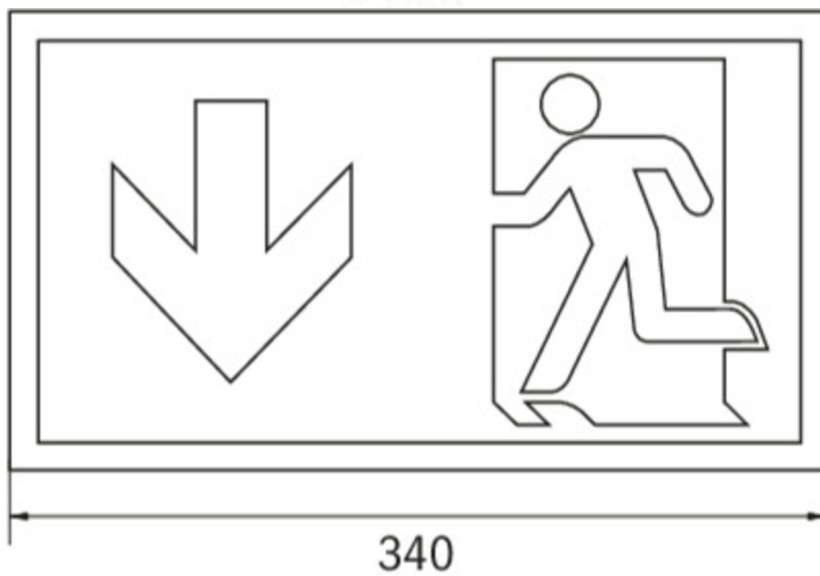
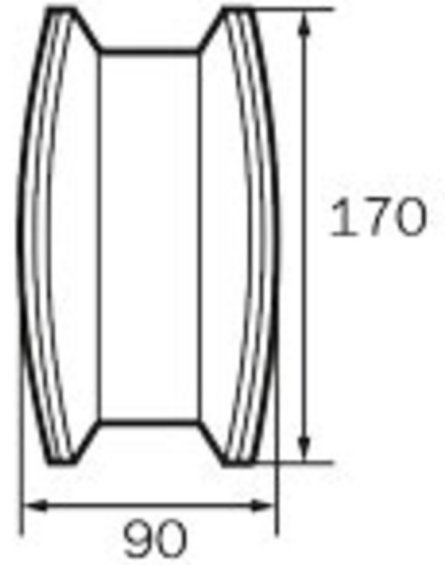
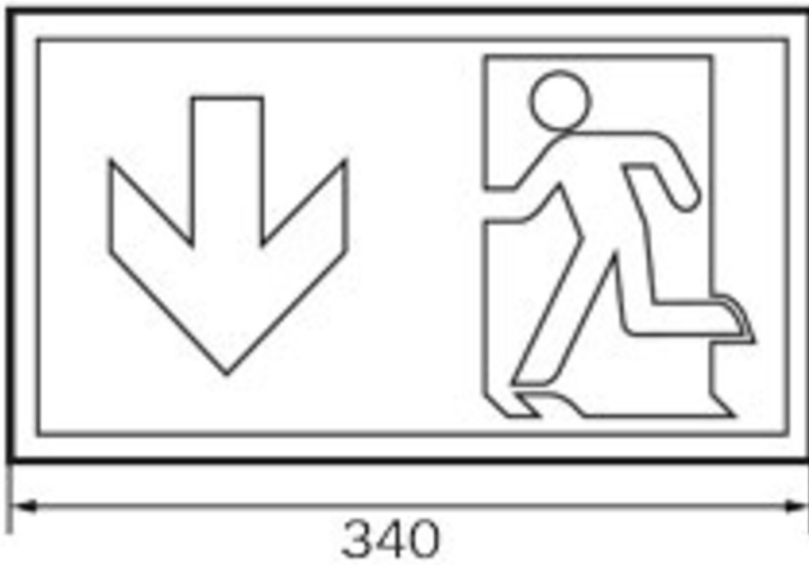
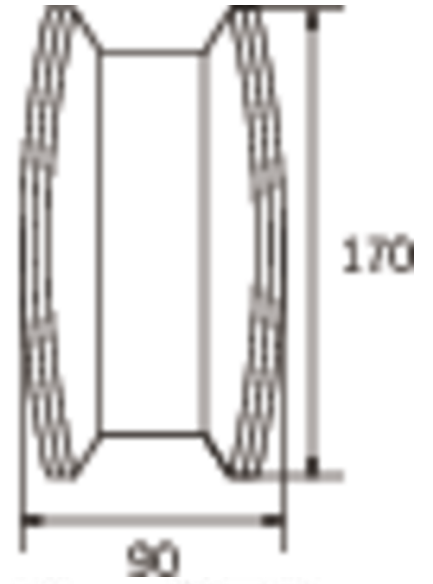
Luminaire type	Exit sign
Mounting	Recessed mounting
Recognition distance	30 m
Pictograph	Set
Illuminant	LED
Housing material	Plastic
Housing color	white
Protection type (IP)	IP40
Impact resistance (IK)	≥ 3
Certification	WEEE, CE, D-Sign
Insulation class	1
Supply	Single Battery
Monitoring	SelfControl (SC)
Bridging time	3 h
Battery	NIMH 4,8 V/2,0 Ah
Operating mode	Standby circuit / permanent circuit
Input voltageAC	230 V



Input frequency	50 / 60 Hz
Power max.	6,1 W
Power DS	4,5 W
Power BS	0,35 W
Ambient temperature DS	-5 °C to 40 °C
Ambient temperature BS	-5 °C to 40 °C
Depth	90 mm
Width	340 mm
Height	170 mm
Weight	1.06
Weight incl. packaging	1.17
Connection cross-section	2.5 mm ²
Switching input	Yes
Emergency light blocking	Yes
Battery connection	Connector
Dimming function	Yes
Luminous flux mains	220 lm
Luminous flux emergency	150 lm
Customs tariff number	94056120
EAN	4260123682170



TECHNICAL DRAWING





ACCESSORY LIST






KCAWW - Wall bracket

DSA - Wire suspension

2PW-EB - Pendant

WKL - Eye bolts

RELATED PRODUCTS

Art.-No.	Image	Monitoring	Supply	Color	Investment	Automatic log	Maintenance level	Remote maintenance	max. luminaires	Single luminaire monitoring
KCD013		Without monitoring		RAL 9003						
KCD013BC		Bus control		RAL 9003						
KCD013WL		Wireless Professional (WL)	Single battery	RAL 9003	€€	yes	low	yes	1,000 per system	central
KCD013WL-P		Wireless Professional (WL)	Single battery	RAL 9003	€€	yes	low	yes	1,000 per system	central
KCD013WLSE		Wireless Professional (WL)	Single battery	RAL 9003	€€	yes	low	yes	1,000 per system	central

As of: 27.11.2024 - Subject to technical changes and errors.