



Art.-Nr: KBU428WL
Exit sign, Safety luminaire Single Battery
Universal, Wireless Professional (WL), 8 h, 14 m, 22 m, 30 m,
IP65, Plastic, white

LED emergency exit sign / safety luminaire in accordance with DIN EN 60598-1, DIN EN 60598-2-22, DIN EN 7010 and DIN EN 1838.

Cuboid plastic housing, luminaire discreetly reduced to the essentials. Modular design and universal mounting for use as safety luminaire with and without the use of pictograms. Because of the modular system, the luminaire can be converted into an emergency exit sign luminaire at any time without any tools and without having to be disassembled. The panes for fitting the pictograms are ordered separately.

The luminaire is fitted with four pre-mounted hall lenses as standard. Thanks to the innovative integrated lens holder with a rapid fitting fixture, flexible use of various lens types is possible depending on the specific application.

Wireless central control and monitoring for large installations of up to 50,000 luminaires with Wireless Professional. The luminaire is fitted with the innovative flexible plug-in system for rapid use of the right lens. The hall lens is supplied with every luminaire. A round lens, spotlight lens and beam lens are available as options. Universal mounting includes fitting on the wall and ceiling as well as the option of fitting in the ceiling in conjunction with the mounting frame available.



More information
www.rp-group.com/en/item/KBU428WL



TECHNICAL DATA

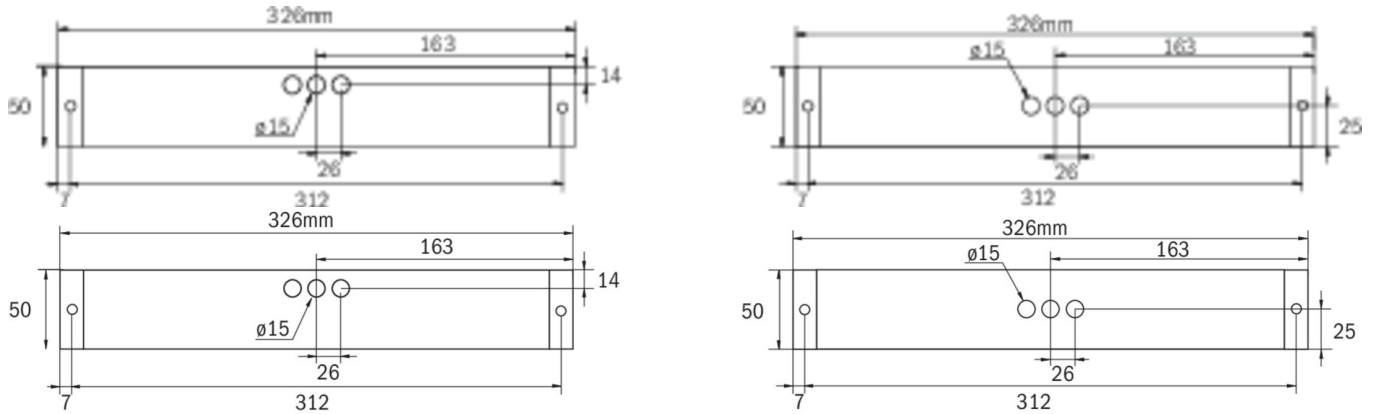
Luminaire type	Exit sign, Safety luminaire
Mounting	Universal
Recognition distance	14 m, 22 m, 30 m
Pictograph	acc. to Specification
Housing material	Plastic
Housing color	white
Protection type (IP)	IP65
Impact resistance (IK)	5
Certification	WEEE, CE
Insulation class	2
Supply	Single Battery



Monitoring	Wireless Professional (WL)
Bridging time	8 h
Battery	LiFePO4 6,4 V/1,2 Ah
Operating mode	Standby circuit / permanent circuit
Input voltage AC	230 V
Input frequency	50 Hz
Power max.	7,5 W
Power DS	5,7 W
Power BS	0,8 W
Ambient temperature DS	-5 °C - 35 °C
Ambient temperature BS	-5 °C - 35 °C
Depth	326 mm
Width	50 mm
Height	50 mm
Weight	0.52
Weight incl. packaging	0.57
Connection cross-section	2.5 mm ²
Switching input	Yes
Emergency light blocking	Yes
Battery connection	Connector
Dimming function	Yes
Luminous flux mains	520 lm
Luminous flux emergency	85 lm
Customs tariff number	94056120
EAN	4260766551994



TECHNICAL DRAWING



ACCESSORY LIST

- KBK -
- KBM -
- KBG -
- AWX001 -
- KBE - Mounting frame
- BALLPLX-KBE - Wire mesh surround
- BALLPLX-KBS - Wire mesh surround
- BALLPLX-KBU - Wire mesh surround
- 2PW-EB - Pendant
- 2DW-EB -
- KBBE - Flush-mounted box
- DSA - Wire suspension
- LSYS-B4 -
- LSYS-F4 -
- LSYS-H4 -
- LSYS-R4 -
- LSYS-S4 -

As of: 26.09.2024 - Subject to technical changes and errors.