

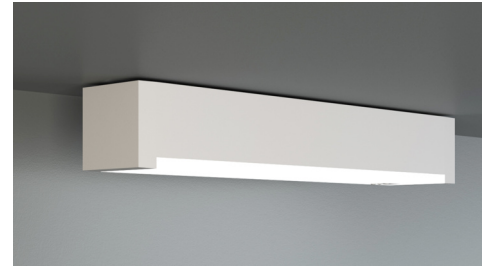


Art.-Nr: KBU423SC-IP65-COOLIP54
Exit sign, Safety luminaire
Universal, SelfControl (SC), 3 h, 14 m, 22 m, 30 m, IP65,
Plastic, white

Flexible plastic safety luminaire for universal mounting, which can be extended to become an emergency exit sign luminaire. The cuboid plastic housing is discreetly reduced to the essentials.

Because of the modular system, the luminaire can be converted into an emergency exit sign luminaire without any tools and without having to be disassembled. The panes for fitting the pictograms are available separately.

Automatic monitoring of safety luminaire with SelfControl. The luminaire is fitted with the innovative flexible plug-in system for rapid use of the right lens. The hall lens is supplied with every luminaire. A round lens, spotlight lens and beam lens are available as options. Universal mounting includes fitting on the wall and ceiling as well as the option of fitting in the ceiling in conjunction with the mounting frame available.



More information

www.rp-group.com/en/item/KBU423SC-IP65-COOLIP54



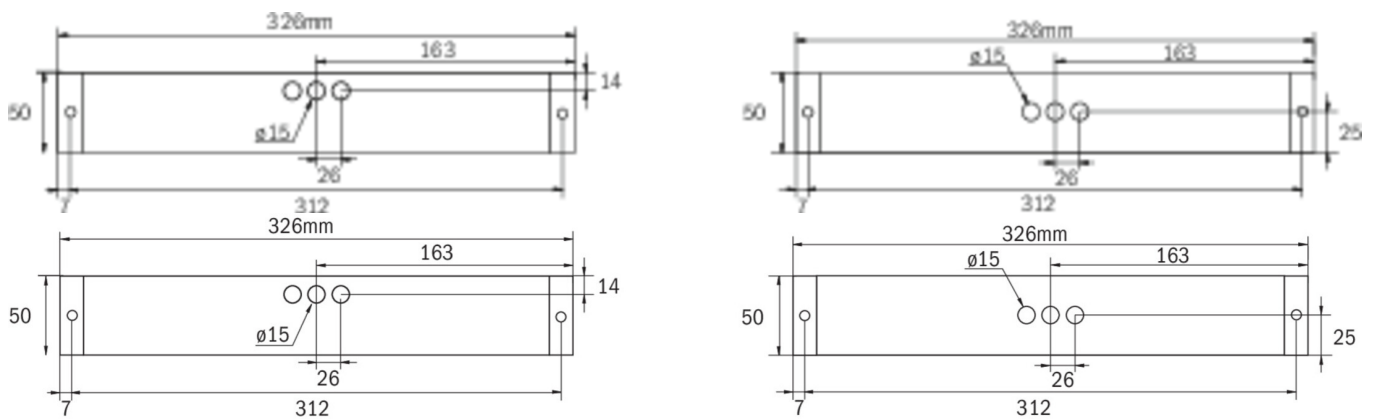
TECHNICAL DATA

Luminaire type	Exit sign, Safety luminaire
Mounting	Universal
Recognition distance	14 m, 22 m, 30 m
Pictograph	acc. to Specification
Housing material	Plastic
Housing color	white
Protection type (IP)	IP65
Impact resistance (IK)	5
Certification	WEEE, TÜV Rheinland Type approved, CE, ENEC
Insulation class	2
Monitoring	SelfControl (SC)
Bridging time	3 h
Battery	6,4 V 1,6Ah Ah/
Power max.	4,2 W
Power DS	3,4 W



Power BS	0,9 W
Ambient temperature DS	-5 °C - 35 °C
Ambient temperature BS	-5 °C - 40 °C
Depth	326 mm
Width	50 mm
Height	50 mm
Weight	0.4
Weight incl. packaging	0.45
Customs tariff number	94056120
EAN	4260766559143

TECHNICAL DRAWING





ACCESSORY LIST

KBK -

KBM -

KBG -

AWX001 -

KBE - Mounting frame

BALLPLX-KBE - Wire mesh surround

BALLPLX-KBS - Wire mesh surround

BALLPLX-KBU - Wire mesh surround

2PW-EB - Pendant

2DW-EB -

KBBE - Flush-mounted box

DSA - Wire suspension

As of: 23.08.2024 - Subject to technical changes and errors.