



Art.-Nr: KBU029ML-IP65
Exit sign, Safety luminaire Centralised power supply systems
Universal, Central power supply (ML), CPS, 14 m, 22 m, 30 m,
IP64, Plastic, white

Flexible plastic safety luminaire for universal mounting, which can be extended to become an emergency exit sign luminaire. The cuboid plastic housing is discreetly reduced to the essentials.

Because of the modular system, the luminaire can be converted into an emergency exit sign luminaire without any tools and without having to be disassembled. The panes for fitting the pictograms are available separately.

Control and monitoring via central power supply system. The luminaire is fitted with the innovative flexible plug-in system for rapid use of the right lens. The hall lens is supplied with every luminaire. A round lens, spotlight lens and beam lens are available as options. Universal mounting includes fitting on the wall and ceiling as well as the option of fitting in the ceiling in conjunction with the mounting frame available.



More information

www.rp-group.com/en/item/KBU029ML-IP65



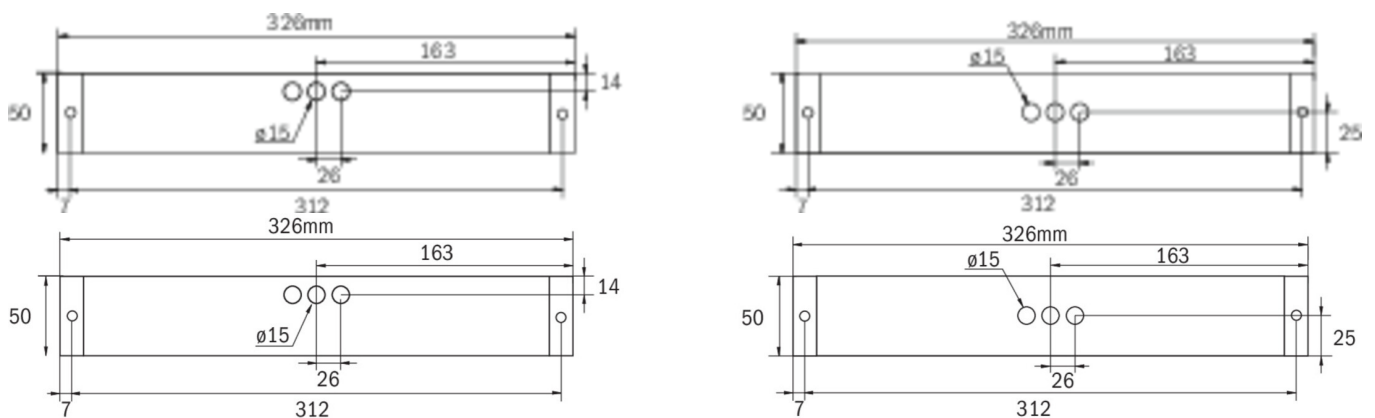
TECHNICAL DATA

Luminaire type	Exit sign, Safety luminaire
Mounting	Universal
Recognition distance	14 m, 22 m, 30 m
Pictograph	acc. to Specification
Housing material	Plastic
Housing color	white
Protection type (IP)	IP64
Impact resistance (IK)	5
Certification	WEEE, TÜV Rheinland Type approved, CE, ENEC
Insulation class	2
Supply	Centralised power supply systems
Monitoring	Central power supply (ML)
Bridging time	CPS
Battery	/
Operating mode	single luminaire switching



Input voltage AC	230 V
Input frequency	50 / 60 Hz
Input voltage DC	216 V
Power max.	5,2 W
Power DS	5,2 W
Power BS	1,1 W
Ambient temperature DS	-30 °C - 35 °C
Ambient temperature BS	-30 °C - 35 °C
Depth	326 mm
Width	50 mm
Height	50 mm
Weight	0.37
Weight incl. packaging	0.42
Connection cross-section	2.5 mm ²
Switching input	Yes
Emergency light blocking	No
Battery connection	No
Dimming function	Yes
Luminous flux mains	520 lm
Luminous flux emergency	520 lm
Customs tariff number	94056120
EAN	4260581712808

TECHNICAL DRAWING





ACCESSORY LIST

KBK -

KBM -

KBG -

AWX001 -

KBE - Mounting frame

BALLPLX-KBE - Wire mesh surround

BALLPLX-KBS - Wire mesh surround

BALLPLX-KBU - Wire mesh surround

2PW-EB - Pendant

2DW-EB -

KBBE - Flush-mounted box

DSA - Wire suspension

As of: 23.08.2024 - Subject to technical changes and errors.