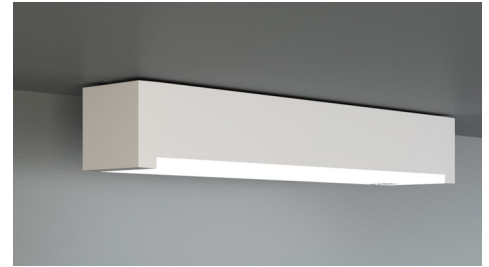




Art.-Nr: KBU029-IP65
Exit sign, Safety luminaire Centralised power supply systems
Universal, CPS, CPS, 14 m, 22 m, 30 m, IP64, Plastic, white

LED exit sign / emergency light according to DIN EN 60598-1, EN 60598-2-22, EN 7010 and DIN EN 1838.

Cuboid plastic housing design reduced on the lamps substance. Modular design and universal mounting for use as emergency luminaire with and without the application of pictograms. The modular system allows the luminaire to be converted to an exit sign luminaire at any time without dismantling or tools. Panes for mounting pictographs have to be ordered separately.



[More information](#)



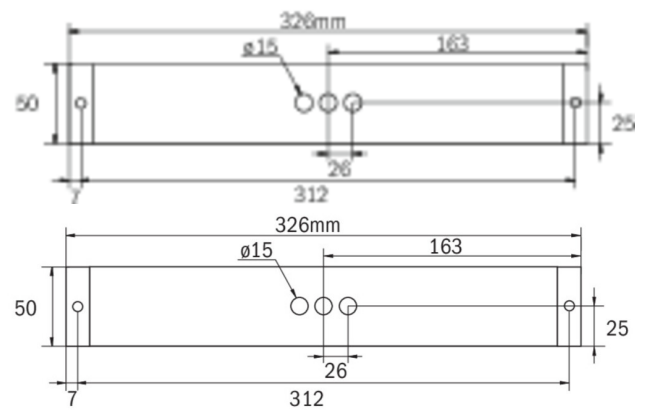
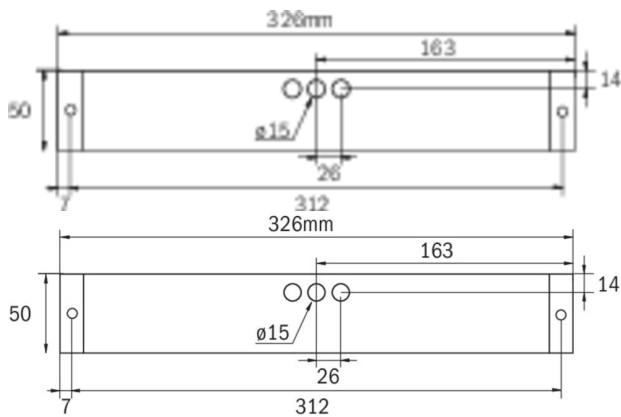
TECHNICAL DATA

Luminaire type	Exit sign, Safety luminaire
Mounting	Universal
Recognition distance	14 m, 22 m, 30 m
Pictograph	acc. to Specification
Illuminant	LED
Housing material	Plastic
Housing color	white
Protection type (IP)	IP64
Impact resistance (IK)	5
Certification	WEEE, TÜV Rheinland Type approved, CE, ENEC
Insulation class	2
Supply	Centralised power supply systems
Monitoring	CPS
Bridging time	CPS
Operating mode	Permanent circuit
Input voltage AC	230 V
Input frequency	50 / 60 Hz
Input voltage DC	100-254 V
Power max.	4,6 W
Power DS	4,6 W
Power BS	0 W



Ambient temperature DS	-30 °C - 35 °C
Ambient temperature BS	-30 °C - 35 °C
Depth	326 mm
Width	50 mm
Height	50 mm
Weight	0.37
Weight incl. packaging	0.42
Connection cross-section	1.5 mm ²
Switching input	No
Emergency light blocking	No
Battery connection	No
Dimming function	No
Luminous flux mains	520 lm
Luminous flux emergency	520 lm
Customs tariff number	94056120
EAN	4260581712792

TECHNICAL DRAWING





ACCESSORY LIST

KBK -
KBM -
KBG -
AWX001 -
KBE -
BALLPLX-KBE -
BALLPLX-KBS -
BALLPLX-KBU -
2PW-EB -
2DW-EB -
KBBE -
DSA -

As of: 19.07.2024 - Subject to technical changes and errors.