



**Art.-Nr: KBU019-IP65**  
**Exit sign, Safety luminaire Centralised power supply systems**  
**Universal, Without monitoring, CPS, 14 m, 22 m, 30 m, IP64,**  
**Plastic, white**

Flexible plastic safety luminaire for universal mounting, which can be extended to become an emergency exit sign luminaire. The cuboid plastic housing is discreetly reduced to the essentials.

Because of the modular system, the luminaire can be converted into an emergency exit sign luminaire without any tools and without having to be disassembled. The panes for fitting the pictograms are available separately.

The luminaire is fitted with the innovative flexible plug-in system for rapid use of the right lens. The hall lens is supplied with every luminaire. A round lens, spotlight lens and beam lens are available as options. Universal mounting includes fitting on the wall and ceiling as well as the option of fitting in the ceiling in conjunction with the mounting frame available.



More information  
[www.rp-group.com/en/item/KBU019-IP65](http://www.rp-group.com/en/item/KBU019-IP65)



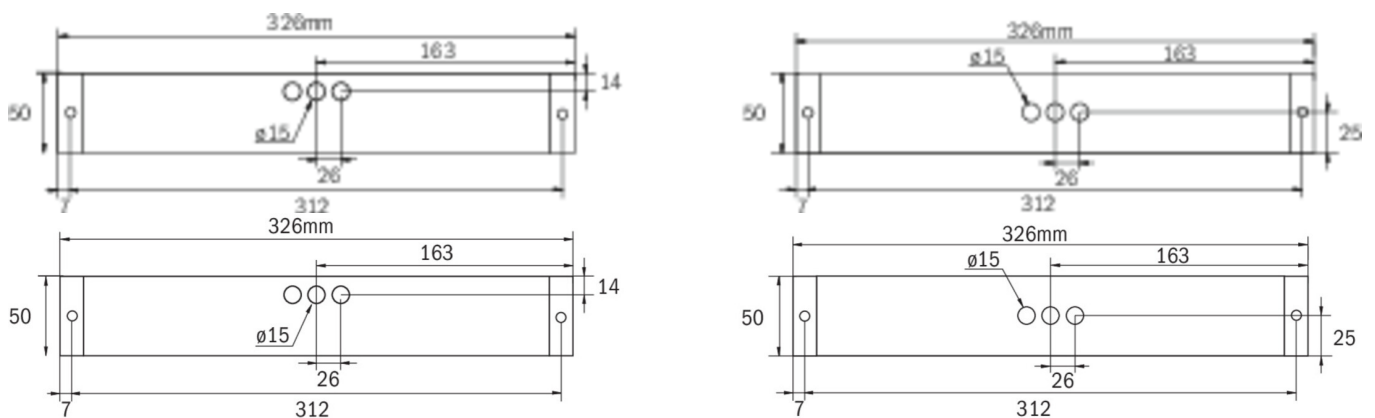
## TECHNICAL DATA

Luminaire type	Exit sign, Safety luminaire
Mounting	Universal
Recognition distance	14 m, 22 m, 30 m
Pictograph	acc. to Specification
Illuminant	LED
Housing material	Plastic
Housing color	white
Protection type (IP)	IP64
Impact resistance (IK)	5
Certification	WEEE, TÜV Rheinland Type approved, CE, ENEC
Insulation class	2
Supply	Centralised power supply systems
Monitoring	Without monitoring
Bridging time	CPS
Battery	/
Operating mode	Permanent circuit



Input voltage AC	230 V
Input frequency	50 / 60 Hz
Input voltage DC	100-254 V
Power max.	4,5 W
Power DS	4,5 W
Power BS	0 W
Ambient temperature DS	-30 °C - 35 °C
Ambient temperature BS	-30 °C - 35 °C
Depth	326 mm
Width	50 mm
Height	50 mm
Weight	0.35
Weight incl. packaging	0.4
Connection cross-section	1.5 mm <sup>2</sup>
Switching input	No
Emergency light blocking	No
Battery connection	No
Dimming function	No
Luminous flux mains	300 lm
Luminous flux emergency	300 lm
Customs tariff number	94056120
EAN	4260581712761

## TECHNICAL DRAWING





## ACCESSORY LIST

KBK -  
KBM -  
KBG -  
AWX001 -  
KBE - Mounting frame  
BALLPLX-KBE - Wire mesh surround  
BALLPLX-KBS - Wire mesh surround  
BALLPLX-KBU - Wire mesh surround  
2PW-EB - Pendant  
2DW-EB -  
KBBE - Flush-mounted box  
DSA - Wire suspension

As of: 23.08.2024 - Subject to technical changes and errors.