



Art.-Nr: KBM-RZL

Exit sign Centralised power supply systems

Universal, Without monitoring, 8 h, 22 m, IP65, Plastic, white

Picto-Plate to mark the exit sign. As supplement to the KB escape route luminaire. Universal pictogram set (left, right, up, down) included.

The luminaire is fitted with the innovative flexible plug-in system for rapid use of the right lens. The hall lens is supplied with every luminaire. A round lens, spotlight lens and beam lens are available as options. Universal mounting includes fitting on the wall and ceiling as well as the option of fitting in the ceiling in conjunction with the mounting frame available.



More information

www.rp-group.com/en/item/KBM-RZL



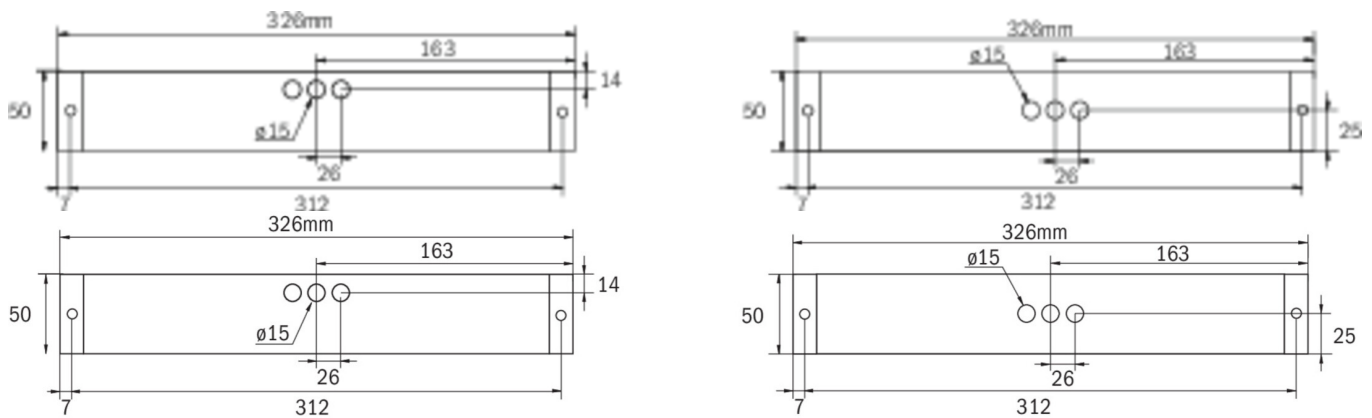
TECHNICAL DATA

Luminaire type	Exit sign
Mounting	Universal
Recognition distance	22 m
Pictograph	Set
Illuminant	LED
Housing material	Plastic
Housing color	white
Protection type (IP)	IP65
Impact resistance (IK)	5
Certification	WEEE, TÜV Rheinland Type approved, CE, ENEC
Insulation class	2
Supply	Centralised power supply systems
Monitoring	Without monitoring
Bridging time	8 h
Battery	/
Operating mode	Standby circuit / permanent circuit
Ambient temperature DS	-5 °C - 35 °C
Ambient temperature BS	-5 °C - 35 °C
Depth	326 mm
Width	50 mm



Height	50 mm
Weight	0.3
Weight incl. packaging	0.35
Customs tariff number	94059200

TECHNICAL DRAWING



ACCESSORY LIST

- KBK -
- KBM -
- KBG -
- AWX001 -
- KBE - Mounting frame
- BALLPLX-KBE - Wire mesh surround
- BALLPLX-KBS - Wire mesh surround
- BALLPLX-KBU - Wire mesh surround
- 2PW-EB - Pendant
- 2DW-EB -
- KBBE - Flush-mounted box
- DSA - Wire suspension

As of: 23.08.2024 - Subject to technical changes and errors.