



Art.-Nr: KBK-RZL
Exit sign Centralised power supply systems
Universal, CPS, 8 h, 14 m, IP65, Plastic, white

Picto-Plate to mark the exit sign. As supplement to the KB escape route luminaire. Universal pictogram set (left, right, up, down) included.



More information

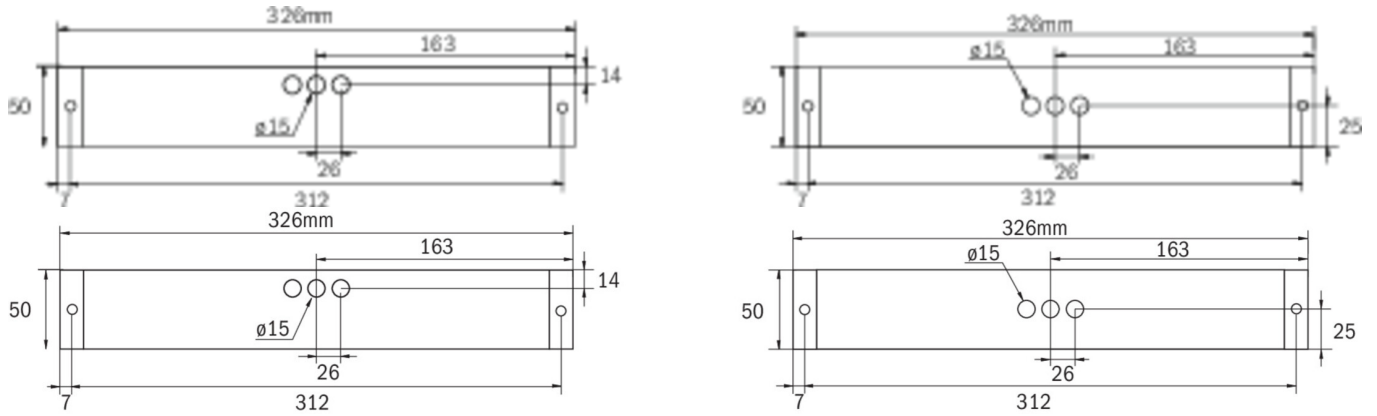


TECHNICAL DATA

Luminaire type	Exit sign
Mounting	Universal
Recognition distance	14 m
Pictograph	Set
Illuminant	LED
Housing material	Plastic
Housing color	white
Protection type (IP)	IP65
Impact resistance (IK)	5
Certification	WEEE, TÜV Rheinland Type approved, CE, ENEC
Insulation class	2
Supply	Centralised power supply systems
Monitoring	CPS
Bridging time	8 h
Operating mode	Standby circuit / permanent circuit
Ambient temperature DS	-5 °C - 35 °C
Ambient temperature BS	-5 °C - 35 °C
Depth	326 mm
Width	50 mm
Height	50 mm
Weight	0.3
Weight incl. packaging	0.35
Customs tariff number	94059200



TECHNICAL DRAWING



ACCESSORY LIST

- KBK -
- KBM -
- KBG -
- AWX001 -
- KBE -
- BALLPLX-KBE -
- BALLPLX-KBS -
- BALLPLX-KBU -
- 2PW-EB -
- 2DW-EB -
- KBBE -
- DSA -

As of: 19.07.2024 - Subject to technical changes and errors.