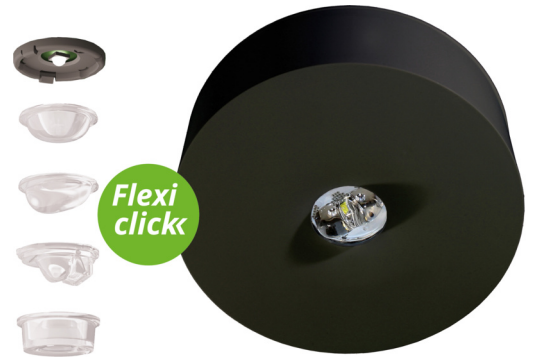




## Emergency luminaire Art.-No.: ILDL529CC-SW

The IL LED safety light with its unobtrusive design is a real all-rounder. It is ready for almost all requirements and always offers the right solution. The innovative integrated lens carrier with quick-mounting device enables the flexible use of different lens types depending on the application. Round and corridor lenses are already included in the scope of delivery for each light and enable perfect adaptation to the respective installation situation. All versions of the IL are available for surface and recessed mounting.

The IL surface-mounted light consists of only 2 parts, with the ceiling attachment containing the mains connection terminals. The actual lamp is installed without tools and is not connected to the mains voltage when it is dismantled.



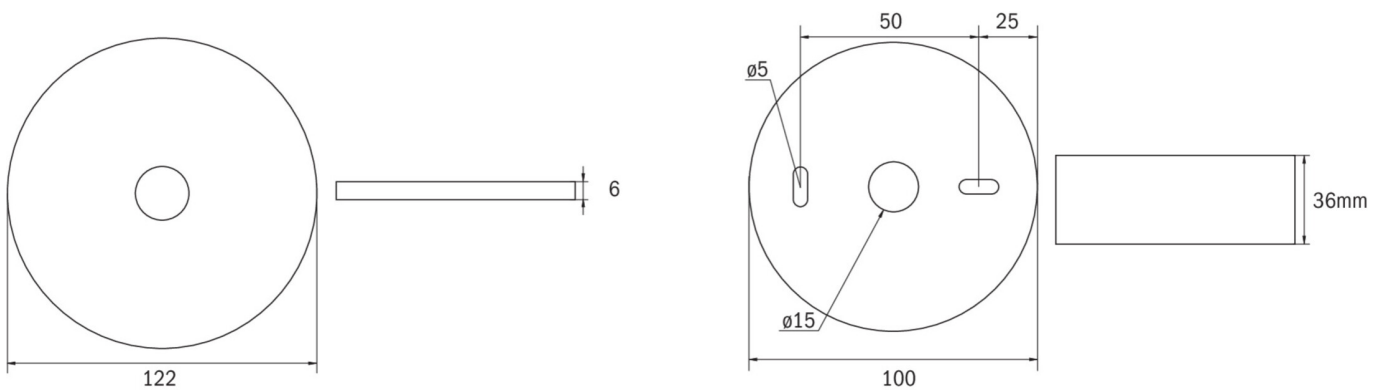
### TECHNICAL DATA

Luminaire type	Emergency luminaire
Mounting	Ceiling mounted
Pictograph	No
Illuminant	LED
Housing material	Polycarbonate
Colour	RAL 9005
Mechanical rating IP	40
Impact resistance IK	≥ 3
Protection class	2
Supply	Central power supply system
Monitoring	CC - CoreCompact 24V
Operation time	CPS
Operation mode	maintained/non-maintained mode
Input Voltage AC	24 V
Power consumption max.	2,8 W
Power consumption maintained	2,8 W
Power consumption non-maintained	0,4 W
Ambient temperature maintained mode	-20 °C / 30 °C
Ambient temperature non-maintained mode	-20 °C / 40 °C
Height	36 mm
Diameter	100 mm



Weight	0.11 kg
Weight incl. Packaging	0.15 kg
Connection cross-section	2.5 mm
Switching input L'	No
Emergency light blocking	No
Battery connector	None
Dimming function	Yes
Luminous flux mains mode	360 lm
Luminous flux emergency mode	360 lm
Customs tariff number	94056120
Coutry of origin	Germany
EAN	4260766550171

## TECHNICAL DRAWING





## ACCESSORIES

- ILD-APA-02 - IL surface mount adapter-02
- IL-IK10-AZ - Surface mounting housing for ILD, white
- IL-IK10-W - Surface mounting housing for ILD, white
- ILDE - recessed frame for all versions of ILD, plastic
- ILB1 - IL cover, square
- ILB2 - IL cover, square with fringe
- BALLPLX-ILD - Ball protection 200x200x62mm incl. fastening
- IL-IP65-K - Surface mounting housing IP65 for ILD, white
- LSYS-B4 - 4x Beam lens for lights with a lens system, for
- LSYS-F4 - 4x corridor lenses for luminaires with lens
- LSYS-R4 - 4x round lenses for luminaires with lens
- LSYS-S4 - 4x Spotlens for luminaires with lens system.
- LSYS-H4 - 4x h-lenses for luminaires with lens