



**Art.-Nr: ILDL428SC-3P**  
**Safety luminaire Single Battery**  
**3-phase conductor rail, SelfControl (SC), 8 h, , IP40, Plastic,**  
**white**



The simple plastic safety luminaire for fitting on the ceiling is a real all-rounder. The luminaire is equipped for virtually all requirements and always provides the right solution. The IL surface-mounted luminaire comprises just 2 parts; the ceiling section contains the mains supply terminals.

The pre-mounted 3-phase adapter allows for tool-free installation in popular 3-phase tracks, such as Nordic Aluminium GLOBAL pro (previously NOKIA) XTS, XTTS and XTSC.

Automatic monitoring of safety luminaire with SelfControl. The innovative integrated lens holder with a rapid fitting fixture permits the flexible use of various lens types. Using the right lens allows the distribution of light to be matched perfectly to the application and simplifies illumination which satisfies all relevant standards. A round lens and hall lens are supplied with every luminaire, allowing it to be adapted perfectly to the respective mounting situation. Other lenses, such as a spotlight lens, beam lens or H lens, are available as options.



More information  
[www.rp-group.com/en/item/ILDL428SC-3P](http://www.rp-group.com/en/item/ILDL428SC-3P)



## TECHNICAL DATA

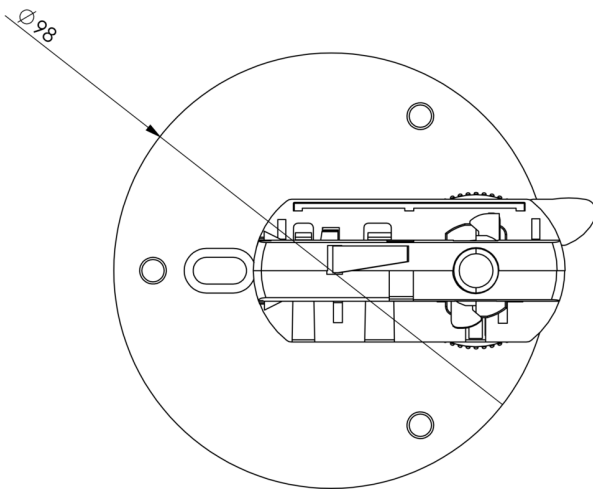
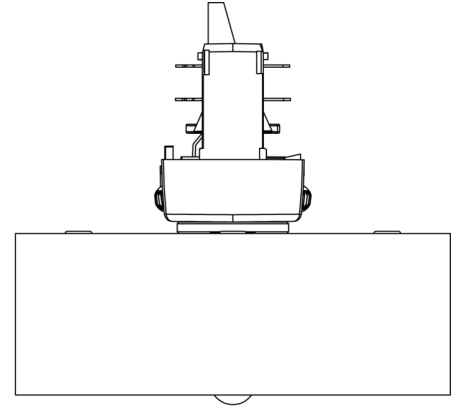
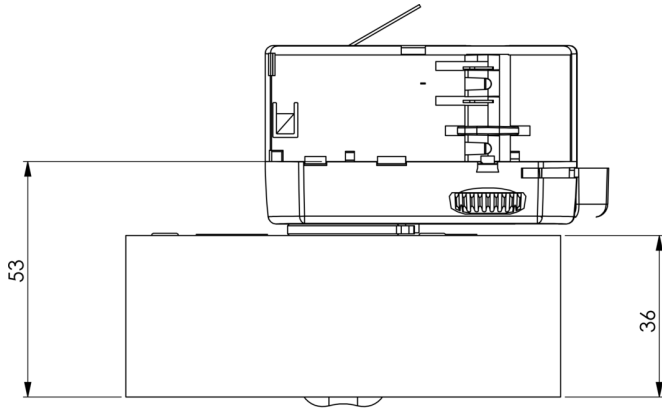
Luminaire type	Safety luminaire
Mounting	3-phase conductor rail
Pictograph	No
Illuminant	LED
Housing material	Plastic
Housing color	white
Protection type (IP)	IP40
Impact resistance (IK)	≥ 3
Certification	WEEE, CE, TÜV Rheinland Type approved, ENEC
Insulation class	2
Supply	Single Battery
Monitoring	SelfControl (SC)
Bridging time	8 h



Battery	3,2V V 3,3Ah Ah/
Operating mode	Standby circuit / permanent circuit
Input voltageAC	230 V
Input frequency	50 / 60 Hz
Power max.	3 W
Power DS	1,9 W
Power BS	0,2 W
Ambient temperature DS	-5 °C - 40 °C
Ambient temperature BS	-5 °C - 40 °C
Height	36 mm
Diameter	100 mm
Weight	0.19
Weight incl. packaging	0.25
Connection cross-section	2.5 mm <sup>2</sup>
Switching input	Yes
Emergency light blocking	No
Battery connection	Connector
Dimming function	Yes
Luminous flux mains	130 lm
Luminous flux emergency	125 lm
Customs tariff number	94056120
EAN	4260766558795



## TECHNICAL DRAWING



## ACCESSORY LIST

- LSYS-B4 -
- LSYS-F4 -
- LSYS-H4 -
- LSYS-R4 -
- LSYS-S4 -

As of: 23.08.2024 - Subject to technical changes and errors.