

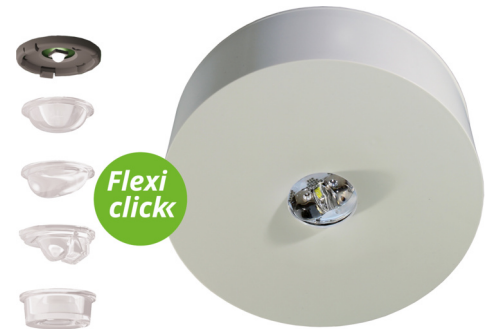


Art.-Nr: ILDL421SC-SW-TT
Safety luminaire Single Battery
Recessed mounting, SelfControl (SC), 1 h, , IP40, Plastic,
Black

The LED safety luminaire IL with its unobtrusive design is a real all-rounder. It is equipped for virtually all requirements and always provides the right solution. Since the status LED is fitted in the lens, the harmony of the discreet housing is not interrupted. The innovative integrated lens holder with a rapid fitting fixture permits the flexible use of various lens types depending on the specific application. A round lens and hall lens are supplied with every luminaire, allowing it to be adapted perfectly to the respective mounting situation.

The IL surface-mounted luminaire comprises just 2 parts; the ceiling section contains the mains supply terminals. The actual luminaire is mounted without the need for tools and is free of mains voltage upon disassembly.

Automatic monitoring of safety luminaire with SelfControl. The innovative integrated lens holder with a rapid fitting fixture permits the flexible use of various lens types. Using the right lens allows the distribution of light to be matched perfectly to the application and simplifies illumination which satisfies all relevant standards. A round lens and hall lens are supplied with every luminaire, allowing it to be adapted perfectly to the respective mounting situation. Other lenses, such as a spotlight lens, beam lens or H lens, are available as options.



More information

www.rp-group.com/en/item/ILDL421SC-SW-TT



TECHNICAL DATA

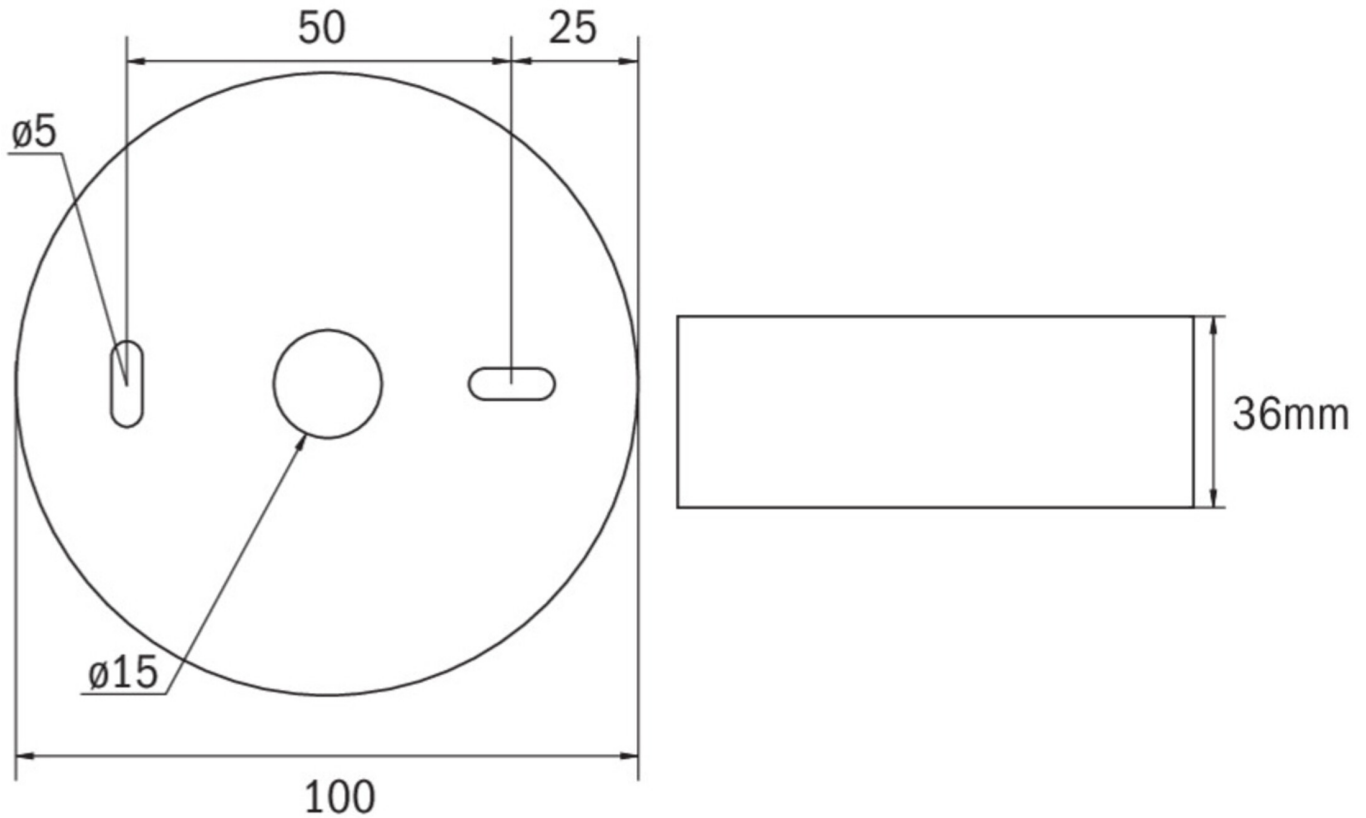
| | |
|------------------------|---|
| Luminaire type | Safety luminaire |
| Mounting | Recessed mounting |
| Pictograph | No |
| Illuminant | LED |
| Housing material | Plastic |
| Housing color | Black |
| Protection type (IP) | IP40 |
| Impact resistance (IK) | ≥ 3 |
| Certification | WEEE, CE, TÜV Rheinland Type approved, ENEC |
| Insulation class | 2 |
| Supply | Single Battery |
| Monitoring | SelfControl (SC) |



| | |
|--------------------------|-------------------------------------|
| Bridging time | 1 h |
| Battery | LiFePO4 3,2 V/3,3 Ah |
| Operating mode | Standby circuit / permanent circuit |
| Input voltageAC | 230 V |
| Input frequency | 50 / 60 Hz |
| Power max. | 3 W |
| Power DS | 1,9 W |
| Power BS | 0,2 W |
| Ambient temperature DS | -15 °C - 40 °C |
| Ambient temperature BS | -15 °C - 40 °C |
| Height | 36 mm |
| Diameter | 100 mm |
| Weight | 0.2 |
| Weight incl. packaging | 0.24 |
| Connection cross-section | 2.5 mm ² |
| Switching input | Yes |
| Emergency light blocking | No |
| Battery connection | Connector |
| Dimming function | Yes |
| Luminous flux mains | 130 lm |
| Luminous flux emergency | 250 lm |
| Customs tariff number | 94056120 |
| EAN | 4262483023839 |



TECHNICAL DRAWING



ACCESSORY LIST

- ILD-APA-02 - IL surface-mounted adapter
- IL-IK10-AZ -
- IL-IK10-W -
- ILDE - Mounting frame
- ILB1 - IL top part
- ILB2 - IL top part
- BALLPLX-ILD - Wire mesh surround
- IL-IP65-K - Surface-mounted housing
- LSYS-B4 -
- LSYS-F4 -
- LSYS-R4 -
- LSYS-S4 -

As of: 01.11.2024 - Subject to technical changes and errors.