



Art.-Nr: GAMD408SC

Exit sign

Recessed mounting, SelfControl (SC), 8 h, 22 m, IP40, Plastic, white

Emergency exit sign luminaire with plastic pane for surface mounting on the ceiling and for identifying emergency and escape routes. It is based on the design of the A series luminaire family, which provides solutions for any mounting and has won the German Design Award for its uniform, straight-line design. The luminaires are equipped with modern LED illuminants and provide flexibility through their interchangeable pictograms.

Automatic monitoring of safety luminaire with SelfControl. Display edge luminaire with integrated light distribution for even pictogram illumination. Suited to inscription on one or two sides. Planning certainty is provided by tool-free, variable use of the pictograms on site. A set of pictograms corresponding to DIN ISO 7010 (arrow to the right, left, up and down) is supplied as standard.



More information

www.rp-group.com/en/item/GAMD408SC



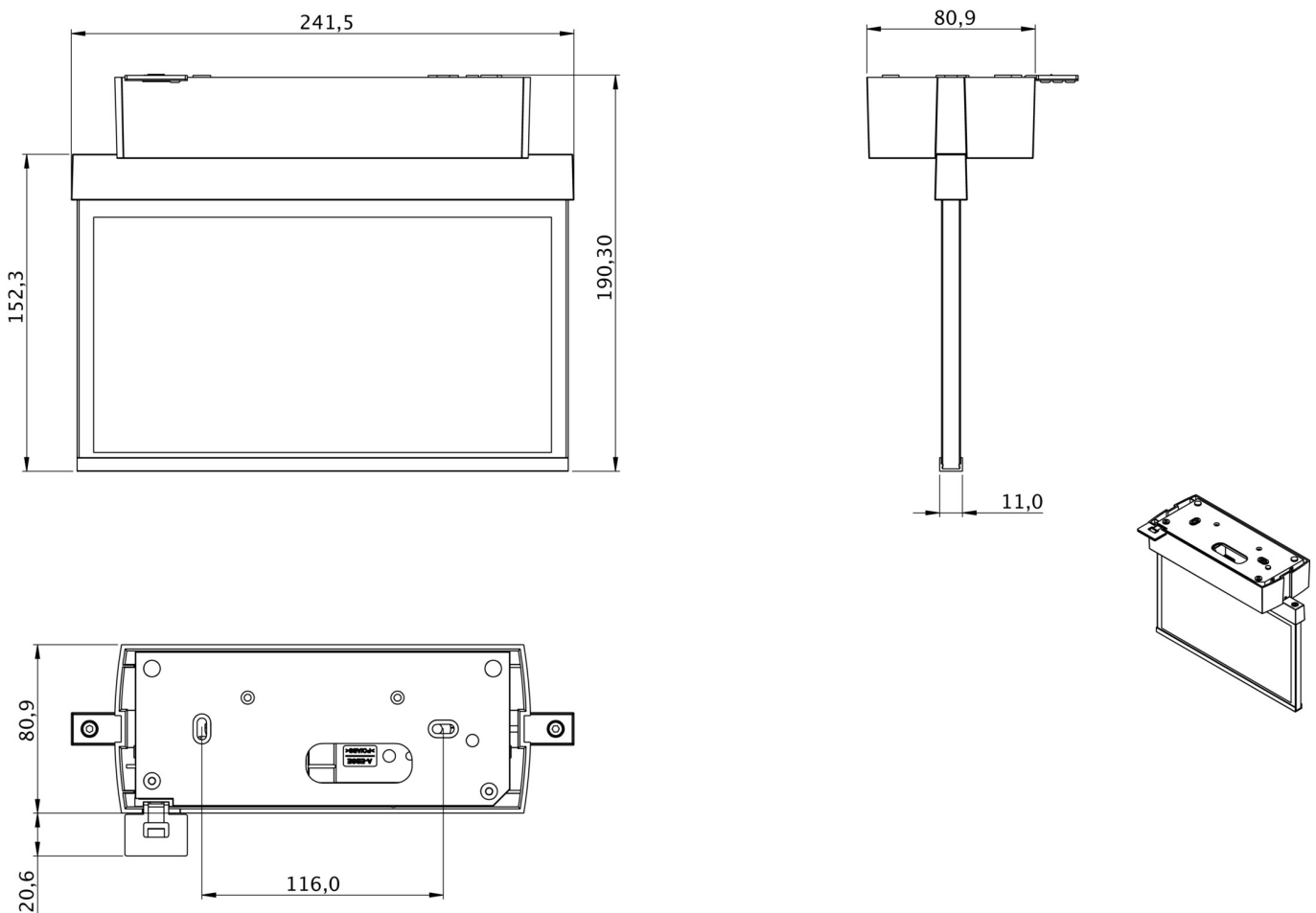
TECHNICAL DATA

Luminaire type	Exit sign
Mounting	Recessed mounting
Recognition distance	22 m
Pictograph	Set
Illuminant	LED
Housing material	Plastic
Housing color	white
Protection type (IP)	IP40
Impact resistance (IK)	5
Certification	WEEE, CE
Insulation class	2
Monitoring	SelfControl (SC)
Bridging time	8 h
Battery	LiFePO4 6,4 V/1,2 Ah
Power max.	2,6 W
Power DS	1,7 W



Power BS	0,9 W
Ambient temperature DS	-5 °C - 40 °C
Ambient temperature BS	-5 °C - 40 °C
Depth	80.9 mm
Width	241.5 mm
Height	190.3 mm
Weight	0.76
Weight incl. packaging	1.12
EAN	4262483022610

TECHNICAL DRAWING



As of: 01.11.2024 - Subject to technical changes and errors.