



Art.-Nr: GABW509CC
Exit sign Centralised power supply systems
Wall mounting, CoreCompact 24 (CC), CPS, 40 m, IP40,
Plastic, white



Emergency exit sign luminaire with plastic pane for surface mounting on the wall and for identifying emergency and escape routes. It is based on the design of the A series luminaire family, which provides solutions for any mounting and has won the German Design Award for its uniform, straight-line design. The luminaires are equipped with modern LED illuminants and provide flexibility through their interchangeable pictograms.

Control and monitoring via central 24 V low-power system. The requested pictogram (arrow to the right, left, up or down) is supplied as standard.



More information

www.rp-group.com/en/item/GABW509CC



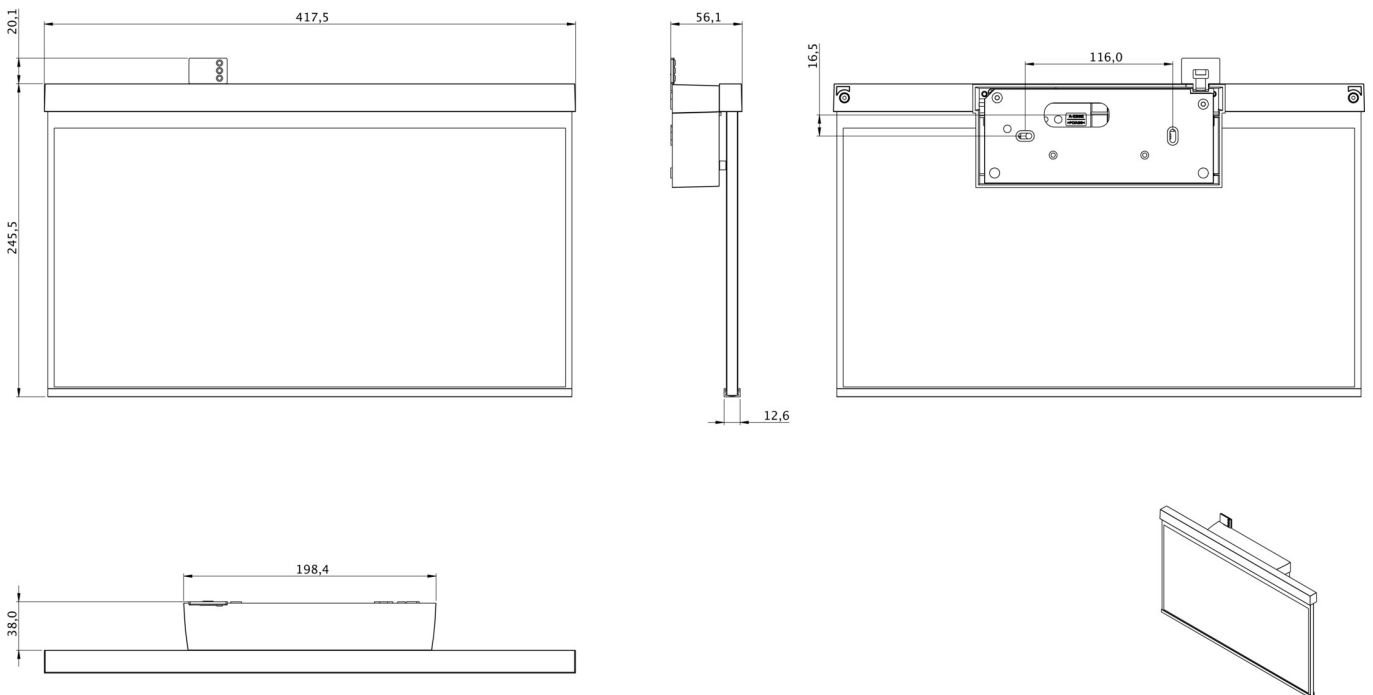
TECHNICAL DATA

| | |
|------------------------|-------------------------------------|
| Luminaire type | Exit sign |
| Mounting | Wall mounting |
| Recognition distance | 40 m |
| Pictograph | acc. to Specification |
| Illuminant | LED |
| Housing material | Plastic |
| Housing color | white |
| Protection type (IP) | IP40 |
| Impact resistance (IK) | 5 |
| Certification | WEEE, CE |
| Insulation class | 2 |
| Supply | Centralised power supply systems |
| Monitoring | CoreCompact 24 (CC) |
| Bridging time | CPS |
| Battery | / |
| Operating mode | Standby circuit / permanent circuit |
| Input voltage AC | 24 V |
| Power max. | 3,7 W |



| | |
|--------------------------|---------------------|
| Power DS | 3,7 W |
| Power BS | 0,4 W |
| Ambient temperature DS | -5 °C - 40 °C |
| Ambient temperature BS | -5 °C - 40 °C |
| Depth | 80.9 mm |
| Width | 417.5 mm |
| Height | 245.5 mm |
| Weight | 1.2 |
| Weight incl. packaging | 1.85 |
| Connection cross-section | 2.5 mm ² |
| Switching input | No |
| Emergency light blocking | No |
| Battery connection | No |
| Customs tariff number | 94056120 |
| EAN | 4260766551413 |

TECHNICAL DRAWING



As of: 23.10.2024 - Subject to technical changes and errors.