



Art.-Nr: GABW009ML
Exit sign Centralised power supply systems
Wall, ML, CPS, 40 m, IP40, Plastic, white

Polycarbonate exit sign luminaire for wall surface mounting. For visibility and escape route safety signage for the guidance and safety. It is based on the design of the A-luminaire series, which offers solutions for every type of installation and was awarded the German Design Award for its uniform, straightforward design. The luminaires are equipped with modern LED and offer flexibility through interchangeable pictograms.

LED exit sign according to EN 60598-1, EN 60598-2-22, EN 7010 and EN 1838



More information



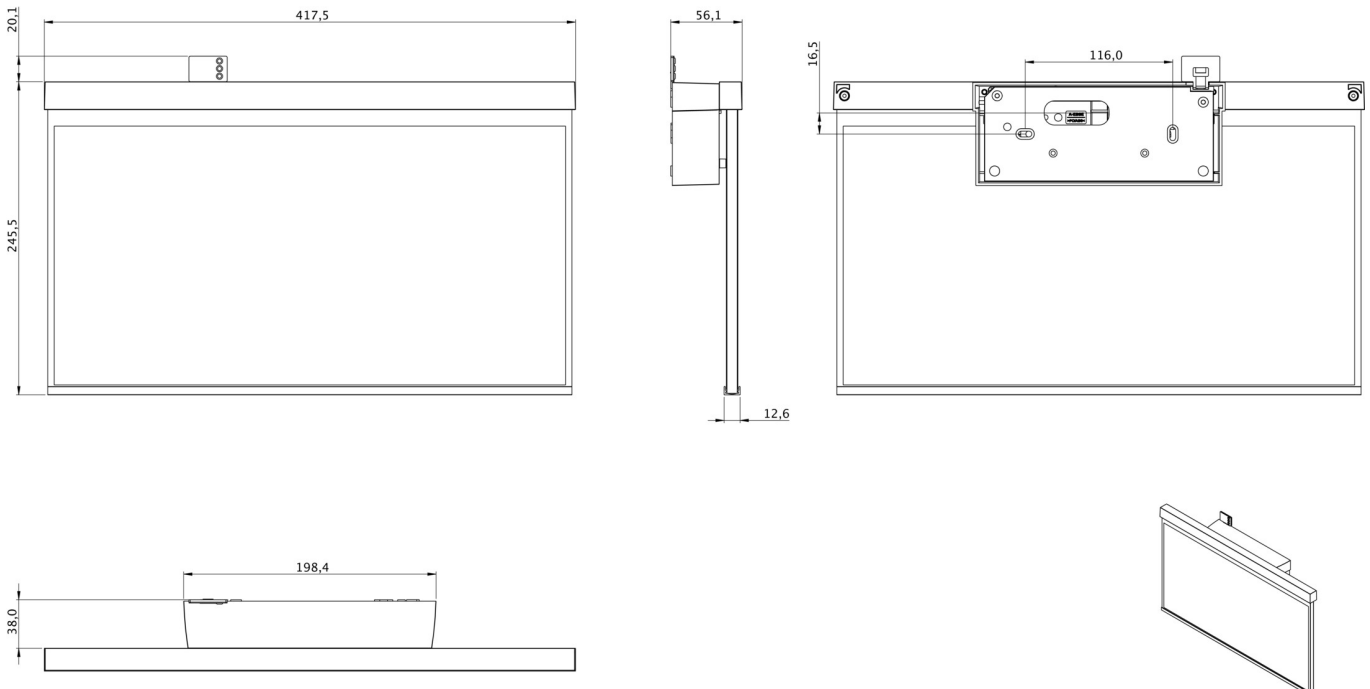
TECHNICAL DATA

Luminaire type	Exit sign
Mounting	Wall
Recognition distance	40 m
Pictograph	acc. to Specification
Housing material	Plastic
Housing color	white
Protection type (IP)	IP40
Impact resistance (IK)	5
Certification	WEEE, CE
Insulation class	2
Supply	Centralised power supply systems
Monitoring	ML
Bridging time	CPS
Operating mode	single luminaire switching
Input voltage AC	230 V
Input frequency	50 / 60 Hz
Input voltage DC	216 V
Power max.	4,6 W
Power DS	4,6 W
Power BS	1,1 W



Ambient temperature DS	-5 °C - 55 °C
Ambient temperature BS	-5 °C - 55 °C
Depth	56.1 mm
Width	417.5 mm
Height	245.5 mm
Weight	1.27
Weight incl. packaging	1.92
Connection cross-section	2.5 mm ²
Switching input	Yes
Emergency light blocking	No
Battery connection	No
Dimming function	Yes
Customs tariff number	94056120
EAN	4260766551277

TECHNICAL DRAWING



As of: 17.07.2024 - Subject to technical changes and errors.