



Art.-Nr: GABD509CC
Exit sign Centralised power supply systems
Recessed mounting, CoreCompact 24 (CC), CPS, 40 m, IP40,
Plastic, white

Emergency exit sign luminaire with plastic pane for surface mounting on the ceiling and for identifying emergency and escape routes. It is based on the design of the A series luminaire family, which provides solutions for any mounting and has won the German Design Award for its uniform, straight-line design. The luminaires are equipped with modern LED illuminants and provide flexibility through their interchangeable pictograms.

Control and monitoring via central 24 V low-power system. Two requested pictograms (arrow to the right, left, up, down or white) are supplied as standard.



More information
www.rp-group.com/en/item/GABD509CC



TECHNICAL DATA

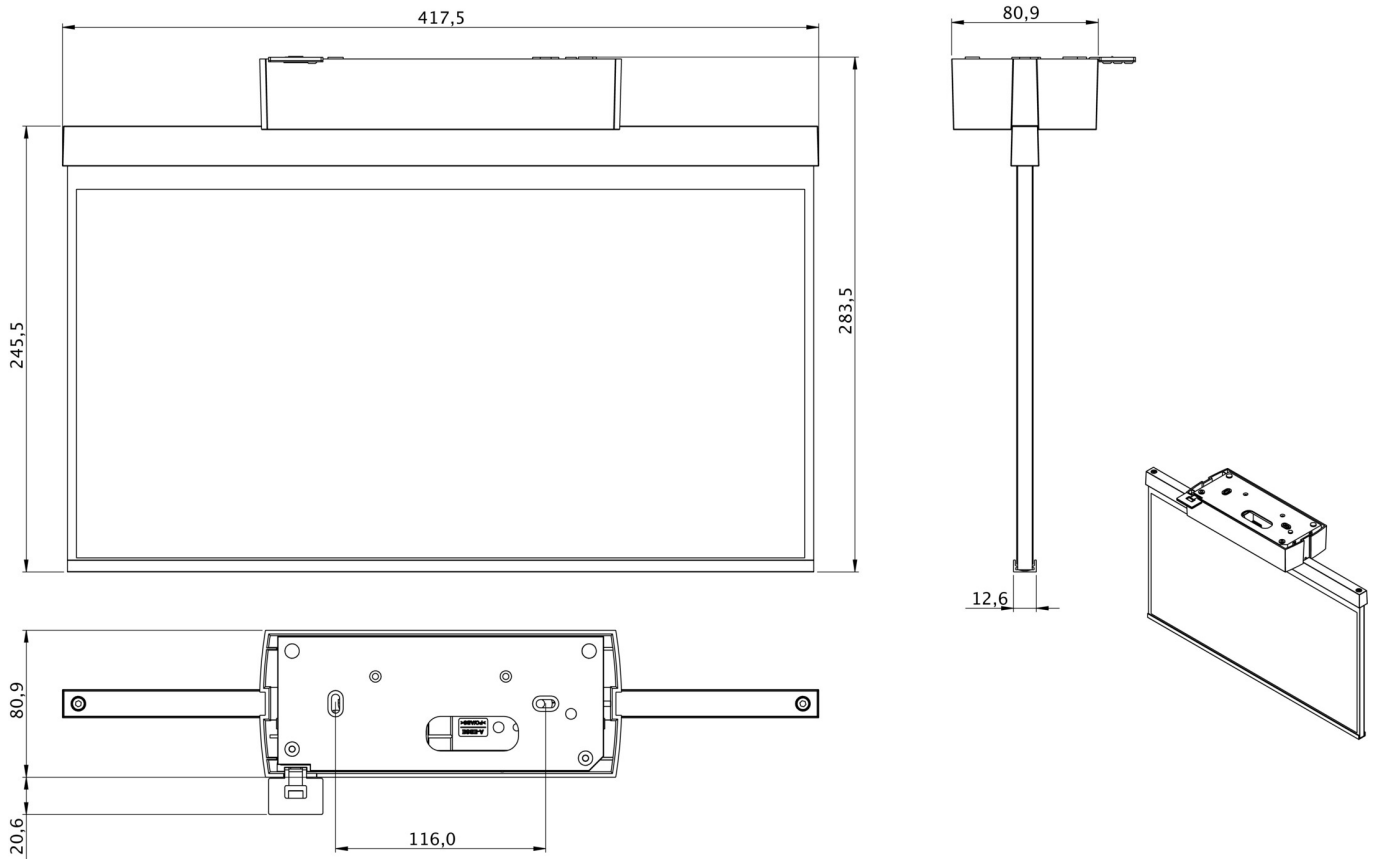
| | |
|------------------------|-------------------------------------|
| Luminaire type | Exit sign |
| Mounting | Recessed mounting |
| Recognition distance | 40 m |
| Pictograph | acc. to Specification |
| Illuminant | LED |
| Housing material | Plastic |
| Housing color | white |
| Protection type (IP) | IP40 |
| Impact resistance (IK) | 5 |
| Certification | WEEE, CE |
| Insulation class | 2 |
| Supply | Centralised power supply systems |
| Monitoring | CoreCompact 24 (CC) |
| Bridging time | CPS |
| Battery | / |
| Operating mode | Standby circuit / permanent circuit |
| Input voltageAC | 24 V |
| Power max. | 3,7 W |



| | |
|--------------------------|---------------------|
| Power DS | 3,7 W |
| Power BS | 0,4 W |
| Ambient temperature DS | -5 °C - 40 °C |
| Ambient temperature BS | -5 °C - 40 °C |
| Depth | 80.9 mm |
| Width | 417.5 mm |
| Height | 245.5 mm |
| Weight | 1.2 |
| Weight incl. packaging | 1.85 |
| Connection cross-section | 2.5 mm ² |
| Switching input | No |
| Emergency light blocking | No |
| Battery connection | No |
| Customs tariff number | 94056120 |
| EAN | 4260766551444 |



TECHNICAL DRAWING



As of: 23.10.2024 - Subject to technical changes and errors.