



Art.-Nr: FMWD509CC-AZ
Exit sign Centralised power supply systems
Wall, CoreCompact 24 (CC), CPS, 20 m, IP65, Zinc die-cast,
Anthracite

Robust zinc die-cast emergency exit sign luminaire for a dynamic escape guidance system.

10 display options are provided in both normal and activated mode. The two operating modes can be easily selected using the rotary coding switch.

Operating modes are activated via a potential-free contact, e.g. on a smoke detector or the fire alarm system. The supply needed for the potential-free contact is generated and monitored in the luminaire. So no additional voltage supply is needed and the potential-free contact can be connected straight to the luminaire. A direct local connection improves system safety.

Control and monitoring via central 24 V low-power system.



More information

www.rp-group.com/en/item/FMWD509CC-AZ



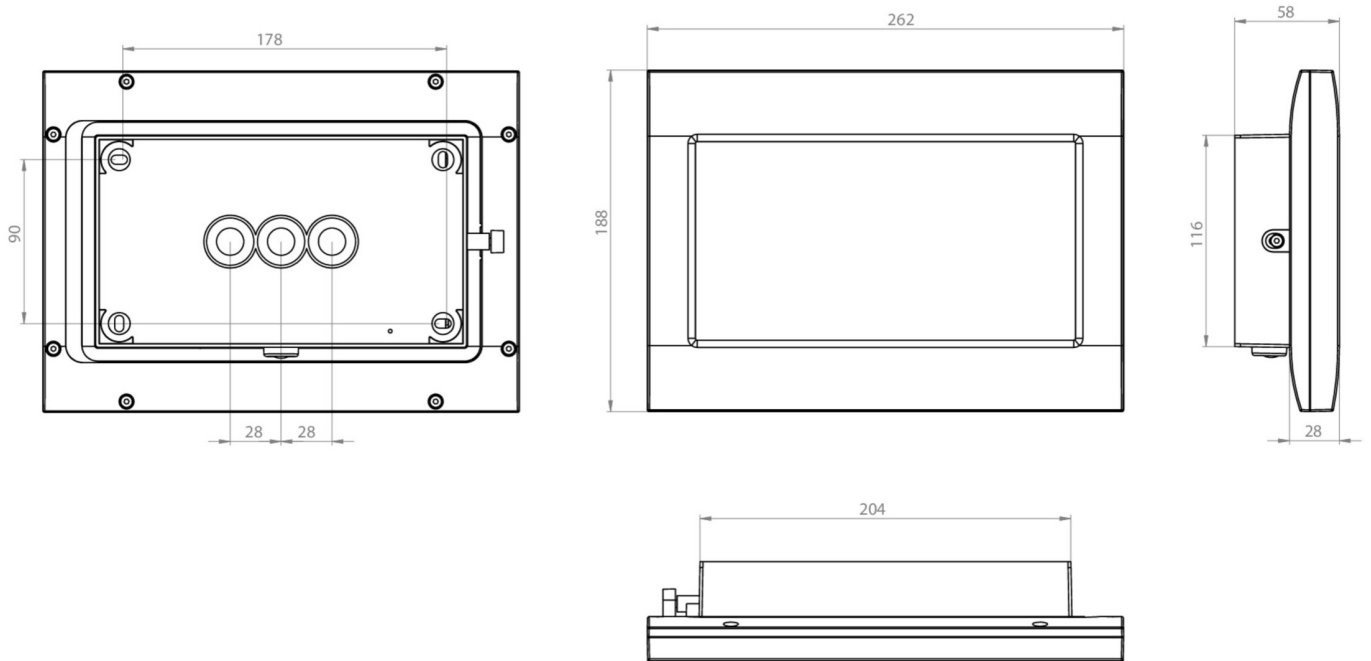
TECHNICAL DATA

Luminaire type	Exit sign
Mounting	Wall
Recognition distance	20 m
Illuminant	LED
Housing material	Zinc die-cast
Housing color	Anthracite
Protection type (IP)	IP65
Impact resistance (IK)	8
Certification	WEEE, CE, D-Sign
Insulation class	3
Supply	Centralised power supply systems
Monitoring	CoreCompact 24 (CC)
Bridging time	CPS
Battery	/
Operating mode	Standby circuit / permanent circuit
Input voltageAC	24 V



Power max.	3,5 W
Power DS	3,5 W
Power BS	0,4 W
Ambient temperature DS	-5 °C - 40 °C
Ambient temperature BS	-5 °C - 40 °C
Depth	58 mm
Width	262 mm
Height	188 mm
Weight	1.89
Weight incl. packaging	1.99
Connection cross-section	2.5 mm ²
Switching input	No
Emergency light blocking	No
Battery connection	No
Customs tariff number	94056180
EAN	4260682157164

TECHNICAL DRAWING





ACCESSORY LIST

FMWA001 -

FMFH -

As of: 23.08.2024 - Subject to technical changes and errors.