



Art.-Nr: FMW509CC-AZ
Exit sign Centralised power supply systems
Wall, CoreCompact 24, CPS, 20 m, IP65, Zinc die-cast,
Anthracite

Robust wall-mounted Zinc die-cast luminaire for the lighting of escape and rescue routes according to DIN EN 60598-1, DIN EN 605982-22 and EN 1838. Appealing design with concealed screws.

Available for central power systems or as LED self-contained emergency luminaire. HACCP certified.



More information



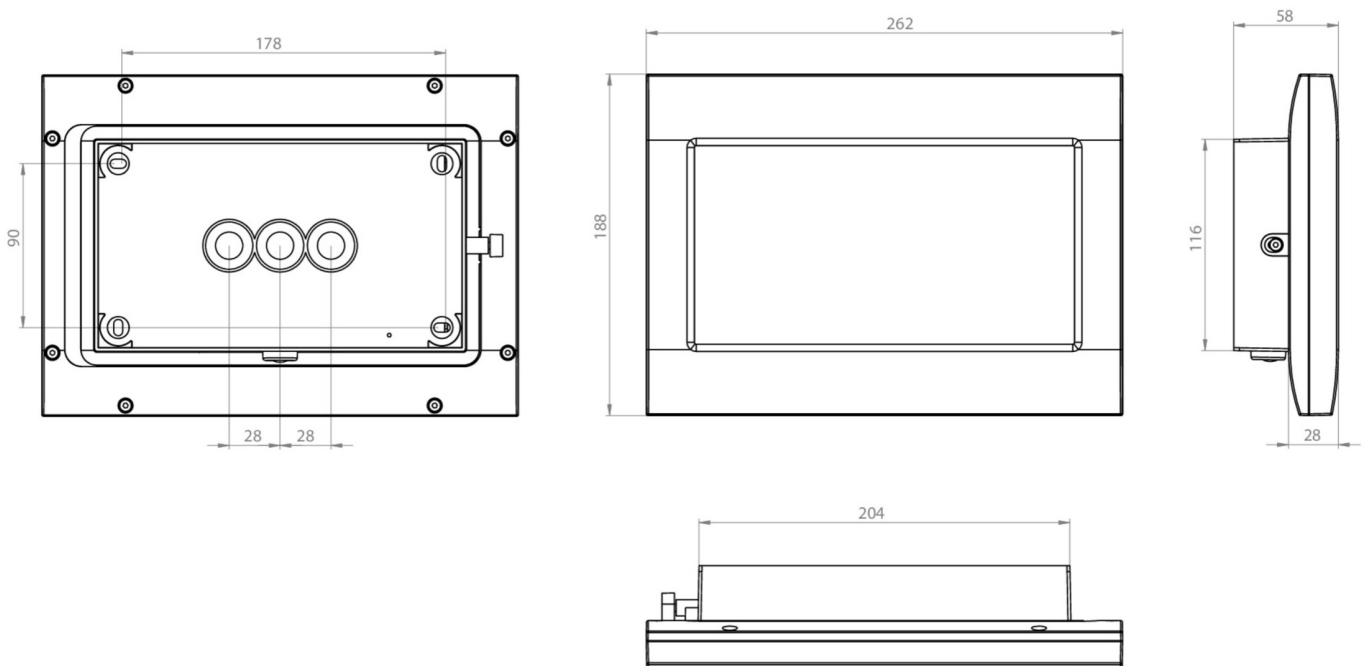
TECHNICAL DATA

Luminaire type	Exit sign
Mounting	Wall
Recognition distance	20 m
Pictograph	Set
Illuminant	LED
Housing material	Zinc die-cast
Housing color	Anthracite
Protection type (IP)	IP65
Impact resistance (IK)	8
Certification	WEEE, CE, D-Sign
Insulation class	3
Supply	Centralised power supply systems
Monitoring	CoreCompact 24
Bridging time	CPS
Operating mode	Standby circuit / permanent circuit
Input voltageAC	24 V
Power max.	2,8 W
Power DS	2,8 W
Power BS	0,4 W
Ambient temperature DS	-5 °C - 40 °C
Ambient temperature BS	-5 °C - 40 °C



Depth	58 mm
Width	262 mm
Height	188 mm
Weight	1.89
Weight incl. packaging	1.99
Connection cross-section	2.5 mm ²
Switching input	No
Emergency light blocking	No
Battery connection	No
Customs tariff number	94056180
EAN	4260682157140

TECHNICAL DRAWING



ACCESSORY LIST

- FMDA001-AZ -
- FMDA002-AZ -
- FMFH -
- FMDA002 -



RELATED PRODUCTS

Art.-No.	Image	Monitoring	Supply	Color	Investment	Automatic log	Maintenance level	Remote maintenance	max. luminaires	Single luminaire monitoring
FMW009ML		ML	Central power supply		€€€	Yes	low	Yes	1,920 per system	central
FMW009ML-AZ		ML	Central power supply		€€€	Yes	low	Yes	1,920 per system	central
FMW509CC		CoreCompact 24	Central power supply		€€	Yes	low	Yes		central

As of: 22.07.2024 - Subject to technical changes and errors.