



**Art.-Nr: FMW408SC-TT**  
**Exit sign Supply**  
**Wall mounting, SelfControl (SC), 8 h, 20 m, IP65, Zinc die-cast, white**

Robust zinc die-cast emergency exit sign luminaire for mounting on the wall and for identifying emergency and escape routes.

The pictogram is fitted on the inside where it is protected by a transparent pane.

Automatic monitoring of safety luminaire with SelfControl. The innovative integrated lens holder with a rapid fitting fixture permits the flexible use of various lens types. Using the right lens allows the distribution of light to be matched perfectly to the application and simplifies illumination which satisfies all relevant standards. A round lens and hall lens are supplied with every luminaire, allowing it to be adapted perfectly to the respective mounting situation. Other lenses, such as a spotlight lens, beam lens or H lens, are available as options.



More information

[www.rp-group.com/en/item/FMW408SC-TT](http://www.rp-group.com/en/item/FMW408SC-TT)



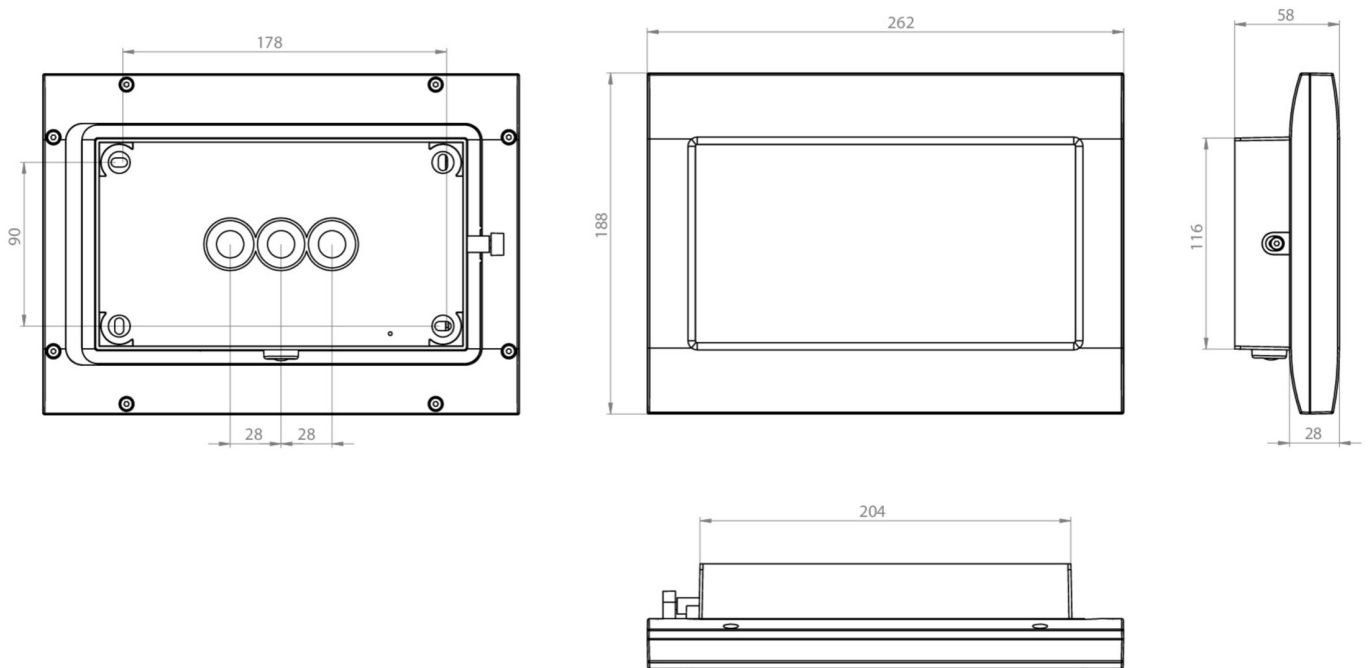
## TECHNICAL DATA

|                        |                  |
|------------------------|------------------|
| Luminaire type         | Exit sign        |
| Mounting               | Wall mounting    |
| Recognition distance   | 20 m             |
| Pictograph             | Set              |
| Illuminant             | LED              |
| Housing material       | Zinc die-cast    |
| Housing color          | white            |
| Protection type (IP)   | IP65             |
| Impact resistance (IK) | 8                |
| Certification          | WEEE, CE, D-Sign |
| Insulation class       | 1                |
| Monitoring             | SelfControl (SC) |
| Bridging time          | 8 h              |
| Battery                | /                |
| Power max.             | 5,2 W            |
| Power DS               | 3,4 W            |
| Power BS               | 2 W              |



|                        |                |
|------------------------|----------------|
| Ambient temperature DS | -15 °C - 40 °C |
| Ambient temperature BS | -15 °C - 40 °C |
| Depth                  | 58 mm          |
| Width                  | 262 mm         |
| Height                 | 188 mm         |
| Weight                 | 1.96           |
| Weight incl. packaging | 2.06           |
| EAN                    | 4262483022573  |

## TECHNICAL DRAWING



## ACCESSORY LIST

- FMWA001 -
- FMDA001 -
- FMDA002-AZ -
- FMFH -
- FMDA001-AZ -
- FMDA002 -

As of: 01.11.2024 - Subject to technical changes and errors.