



**Art.-Nr: FMW408SC-AZ**

**Exit sign**

**Wall mounting, SelfControl (SC), 8 h, 20 m, IP65, Zinc die-cast, Anthracite**

Robust zinc die-cast emergency exit sign luminaire for mounting on the wall and for identifying emergency and escape routes.

The pictogram is fitted on the inside where it is protected by a transparent pane.

Automatic monitoring of safety luminaire with SelfControl. Planning certainty is provided by tool-free, variable use of the pictograms on site. A set of pictograms corresponding to DIN ISO 7010 (arrow to the right, left, up and down) is supplied as standard.



More information

[www.rp-group.com/en/item/FMW408SC-AZ](http://www.rp-group.com/en/item/FMW408SC-AZ)



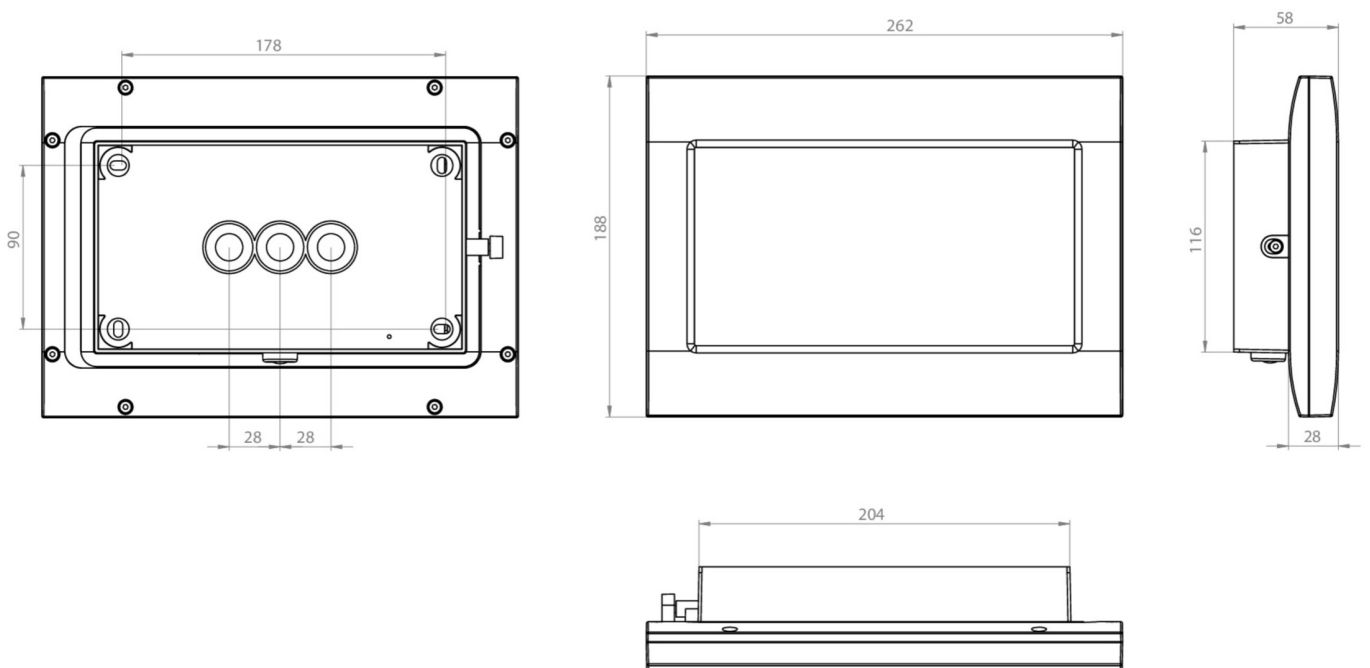
**TECHNICAL DATA**

Luminaire type	Exit sign
Mounting	Wall mounting
Recognition distance	20 m
Pictograph	Set
Illuminant	LED
Housing material	Zinc die-cast
Housing color	Anthracite
Protection type (IP)	IP65
Impact resistance (IK)	8
Certification	WEEE, CE, 5 years warranty
Insulation class	1
Monitoring	SelfControl (SC)
Bridging time	8 h
Battery	LiFePO4 6,4 V/1,2 Ah
Power max.	2,6 W
Power DS	1,7 W
Power BS	0,9 W
Ambient temperature DS	-5 °C to 40 °C
Ambient temperature BS	-5 °C to 40 °C



Depth	58 mm
Width	262 mm
Height	188 mm
Weight	2.04
Weight incl. packaging	2.14
Customs tariff number	94056180
EAN	4262483022566

## TECHNICAL DRAWING



## ACCESSORY LIST

- FMWA001 -
- FMDA001 -
- FMDA002-AZ -
- FMFH -
- FMDA001-AZ -
- FMDA002 -

As of: 19.12.2024 - Subject to technical changes and errors.