



Art.-Nr: FMDS428SC
Safety luminaire Supply
Recessed mounting, SelfControl (SC), 8 h, , IP65, Zinc die-cast, white

Robust zinc die-cast safety luminaire for mounting on the ceiling and for illuminating escape and emergency routes.

Automatic monitoring of safety luminaire with SelfControl.



More information

www.rp-group.com/en/item/FMDS428SC



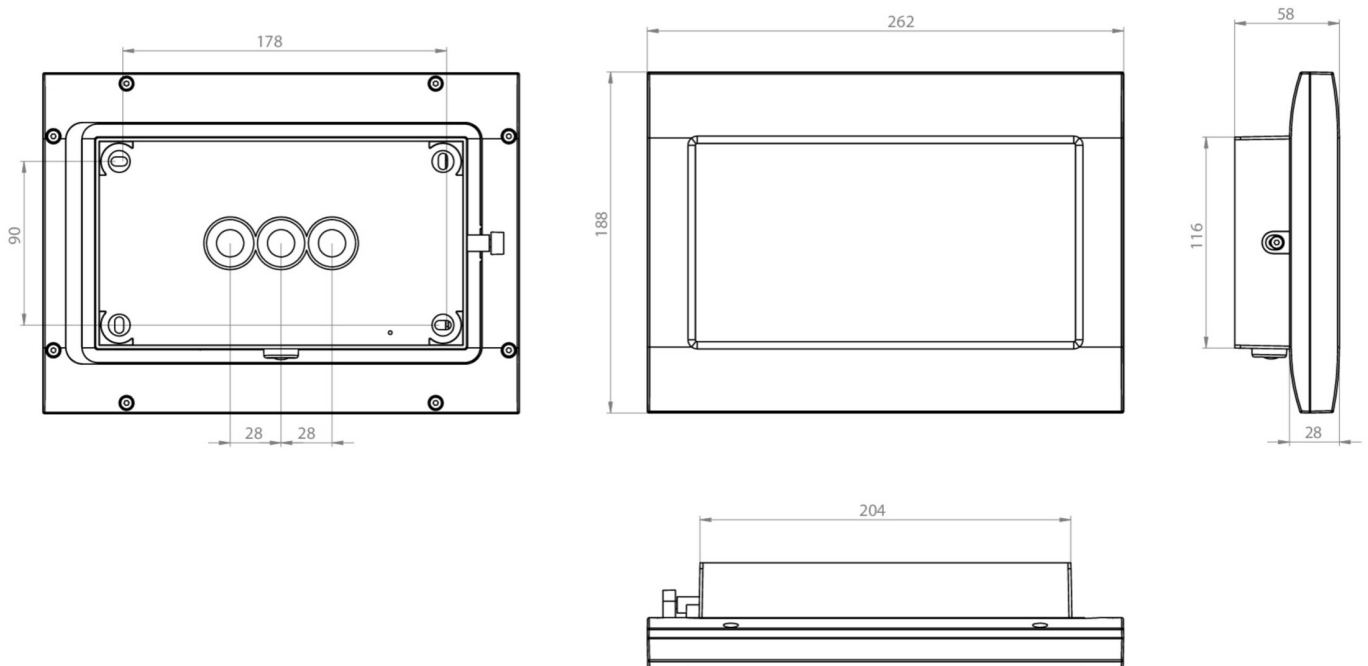
TECHNICAL DATA

Luminaire type	Safety luminaire
Mounting	Recessed mounting
Pictograph	No
Housing material	Zinc die-cast
Housing color	white
Protection type (IP)	IP65
Impact resistance (IK)	8
Certification	WEEE, CE, D-Sign
Insulation class	1
Monitoring	SelfControl (SC)
Bridging time	8 h
Battery	LiFePO4 6,4 V/3,3 Ah
Power max.	5,3 W
Power DS	3,9 W
Power BS	2 W
Ambient temperature DS	-5 °C - 40 °C
Ambient temperature BS	-5 °C - 40 °C
Depth	58 mm
Width	262 mm
Height	188 mm
Weight	2.12



Weight incl. packaging	2.22
Luminous flux mains	210 lm
Luminous flux emergency	210 lm
EAN	4262483022511

TECHNICAL DRAWING



ACCESSORY LIST

- FMDA001 -
- FMDA002 -
- FMDA001-AZ -
- FMDA002-AZ -
- FMWA001 -
- FMFH -

As of: 01.11.2024 - Subject to technical changes and errors.