



**Art.-Nr: EERL438WL-AZ**  
**Safety luminaire Single Battery**  
**Ceiling mounting, Wireless Professional (WL), 8 h, , IP20,**  
**Zinc die-cast, Anthracite**

LED safety luminaire for illuminating escape and emergency routes in accordance with DIN EN 60598-1, DIN EN 60598-222 and DIN EN 1838.

The zinc aluminium luminaire for recessed ceiling mounting inconspicuously adapts to the ceiling. Alongside the usual recessed ceiling mounting, it can also be mounted in conventional and fire protection sockets. Since the status LED is fitted in the lens, the harmony of the housing is not interrupted. The use of diffuser lenses and powerful LED ERT technology achieves optimum light distribution and escape and emergency route illumination. The innovative integrated lens holder with a rapid fitting fixture permits the flexible use of various lens types depending on the specific application.

A round lens and hall lens are supplied with every luminaire.

Wireless central control and monitoring for large installations of up to 50,000 luminaires with Wireless Professional. The innovative integrated lens holder with a rapid fitting fixture permits the flexible use of various lens types. Using the right lens allows the distribution of light to be matched perfectly to the application and simplifies illumination which satisfies all relevant standards. A round lens and hall lens are supplied with every luminaire, allowing it to be adapted perfectly to the respective mounting situation. Other lenses, such as a spotlight lens, beam lens or H lens, are available as options.



More information

[www.rp-group.com/en/item/EERL438WL-AZ](http://www.rp-group.com/en/item/EERL438WL-AZ)



## TECHNICAL DATA

Luminaire type	Safety luminaire
Mounting	Ceiling mounting
Pictograph	No
Illuminant	LED
Housing material	Zinc die-cast
Housing color	Anthracite
Protection type (IP)	IP20
Impact resistance (IK)	≥ 3
Certification	WEEE, CE, ENEC
Insulation class	2



Supply	Single Battery
Monitoring	Wireless Professional (WL)
Bridging time	8 h
Battery	6,4 V 1,2 Ah/
Operating mode	Standby circuit / permanent circuit
Input voltageAC	230 V
Input frequency	50 Hz
Power max.	6,4 W
Power DS	5,1 W
Power BS	0,8 W
Ambient temperature DS	-5 °C - 40 °C
Ambient temperature BS	-5 °C - 40 °C
Height	4 mm
Diameter	88 mm
Installation dimensions Diameter	68 mm
Weight	0.43
Weight incl. packaging	0.56
Connection cross-section	2.5 mm <sup>2</sup>
Switching input	Yes
Emergency light blocking	Yes
Battery connection	Connector
Dimming function	Yes
Luminous flux mains	470 lm
Luminous flux emergency	80 lm
Customs tariff number	94056180
EAN	4260682150851

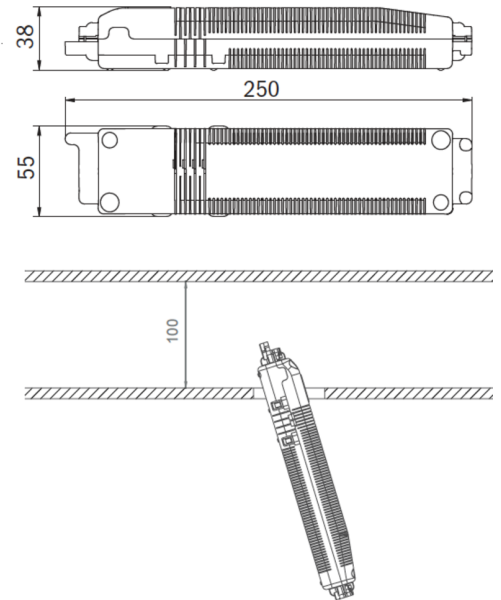


## TECHNICAL DRAWING

### Maße EER / EEQ



### Einzelbatterie-Elektronik-Box (UH-1)



### Lochsausschnitt EER / EEQ



EEx023: 74mm  
EEx029: 68mm



EEx029: Schalterdose notwendig (nicht im Lieferumfang enthalten)

## ACCESSORY LIST

- LSYS-B4 -
- LSYS-F4 -
- LSYS-R4 -
- LSYS-S4 -

As of: 23.08.2024 - Subject to technical changes and errors.