



Art.-Nr: EERL433SC-E
Safety luminaire
Ceiling mounting, SelfControl (SC), 3 h, , IP20, Zinc die-cast,
Stainless steel

LED safety luminaire for illuminating escape and emergency routes in accordance with DIN EN 60598-1, DIN EN 60598-222 and DIN EN 1838.

The zinc aluminium luminaire for recessed ceiling mounting inconspicuously adapts to the ceiling. Alongside the usual recessed ceiling mounting, it can also be mounted in conventional and fire protection sockets. Since the status LED is fitted in the lens, the harmony of the housing is not interrupted. The use of diffuser lenses and powerful LED ERT technology achieves optimum light distribution and escape and emergency route illumination. The innovative integrated lens holder with a rapid fitting fixture permits the flexible use of various lens types depending on the specific application.

A round lens and hall lens are supplied with every luminaire.

Automatic monitoring of safety luminaire with SelfControl. The innovative integrated lens holder with a rapid fitting fixture permits the flexible use of various lens types. Using the right lens allows the distribution of light to be matched perfectly to the application and simplifies illumination which satisfies all relevant standards. A round lens and hall lens are supplied with every luminaire, allowing it to be adapted perfectly to the respective mounting situation. Other lenses, such as a spotlight lens, beam lens or H lens, are available as options.



More information
www.rp-group.com/en/item/EERL433SC-E



TECHNICAL DATA

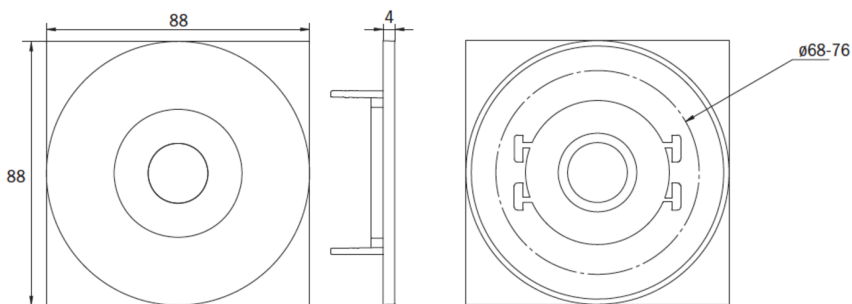
Luminaire type	Safety luminaire
Mounting	Ceiling mounting
Pictograph	No
Illuminant	LED
Housing material	Zinc die-cast
Housing color	Stainless steel
Protection type (IP)	IP20
Impact resistance (IK)	≥ 3
Certification	WEEE, CE, ENEC
Insulation class	2
Monitoring	SelfControl (SC)



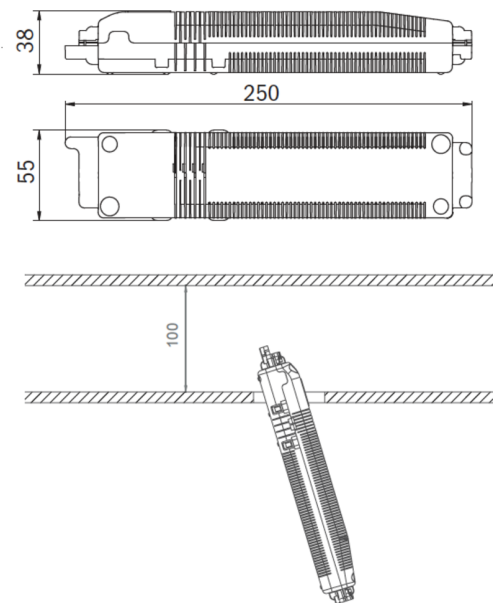
Bridging time	3 h
Battery	6,4 V 1,2 Ah/
Power max.	4,2 W
Power DS	3,4 W
Power BS	0,9 W
Ambient temperature DS	-5 °C - 40 °C
Ambient temperature BS	-5 °C - 40 °C
Height	4 mm
Diameter	88 mm
Installation dimensions Diameter	68 mm
Weight	0.36
Weight incl. packaging	0.49
Luminous flux mains	255 lm
Luminous flux emergency	255 lm
EAN	4260766556043

TECHNICAL DRAWING

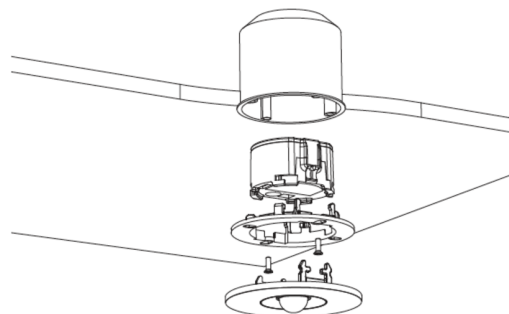
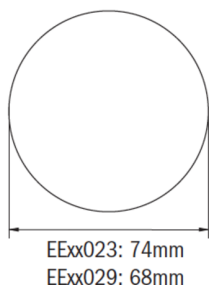
Maße EER / EEQ



Einzelbatterie-Elektronik-Box (UH-1)



Lochausschnitt EER / EEQ



EEx029: Schaltdose notwendig (nicht im Lieferumfang enthalten)



ACCESSORY LIST

LSYS-B4 -

LSYS-F4 -

LSYS-R4 -

LSYS-S4 -

As of: 28.08.2024 - Subject to technical changes and errors.