



Art.-Nr: EEQL433SC-AZ
Safety luminaire
Ceiling mounting, SelfControl (SC), 3 h, , IP20, Zinc die-cast,
Anthracite

LED safety luminaire for illuminating escape and emergency routes in accordance with DIN EN 60598-1, DIN EN 60598-222 and DIN EN 1838.

The zinc aluminium luminaire for recessed ceiling mounting inconspicuously adapts to the ceiling. Alongside the usual recessed ceiling mounting, it can also be mounted in conventional and fire protection sockets. Since the status LED is fitted in the lens, the harmony of the housing is not interrupted. The use of diffuser lenses and powerful LED ERT technology achieves optimum light distribution and escape and emergency route illumination. The innovative integrated lens holder with a rapid fitting fixture permits the flexible use of various lens types depending on the specific application.

A round lens and hall lens are supplied with every luminaire.

Automatic monitoring of safety luminaire with SelfControl. The innovative integrated lens holder with a rapid fitting fixture permits the flexible use of various lens types. Using the right lens allows the distribution of light to be matched perfectly to the application and simplifies illumination which satisfies all relevant standards. A round lens and hall lens are supplied with every luminaire, allowing it to be adapted perfectly to the respective mounting situation. Other lenses, such as a spotlight lens, beam lens or H lens, are available as options.



More information

www.rp-group.com/en/item/EEQL433SC-AZ



TECHNICAL DATA

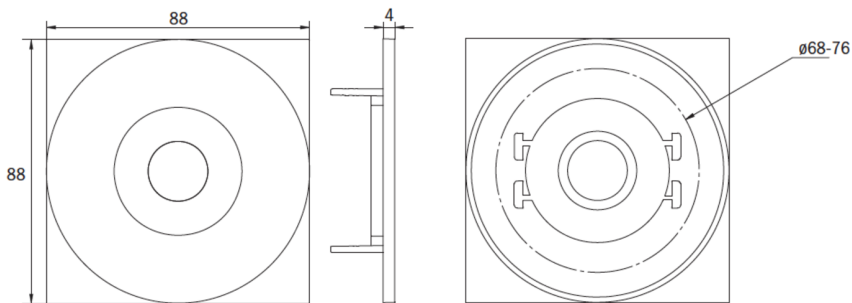
| | |
|------------------------|------------------|
| Luminaire type | Safety luminaire |
| Mounting | Ceiling mounting |
| Pictograph | No |
| Illuminant | LED |
| Housing material | Zinc die-cast |
| Housing color | Anthracite |
| Protection type (IP) | IP20 |
| Impact resistance (IK) | ≥ 3 |
| Certification | WEEE, CE, ENEC |
| Insulation class | 2 |
| Monitoring | SelfControl (SC) |



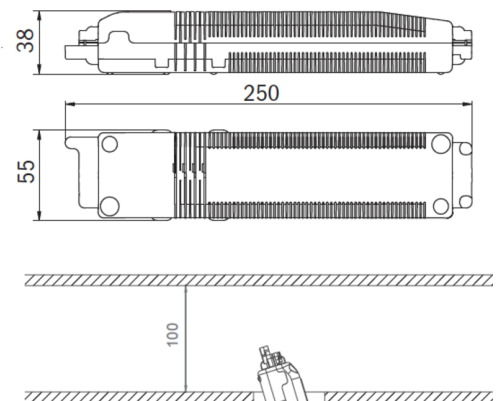
| | |
|----------------------------------|---------------|
| Bridging time | 3 h |
| Battery | 6,4 V 1,2 Ah/ |
| Power max. | 4,2 W |
| Power DS | 3,4 W |
| Power BS | 0,9 W |
| Ambient temperature DS | -5 °C - 40 °C |
| Ambient temperature BS | -5 °C - 40 °C |
| Depth | 88 mm |
| Width | 88 mm |
| Height | 4 mm |
| Installation dimensions Diameter | 68 mm |
| Weight | 0.38 |
| Weight incl. packaging | 0.51 |
| Luminous flux mains | 255 lm |
| Luminous flux emergency | 255 lm |
| EAN | 4260766555985 |

TECHNICAL DRAWING

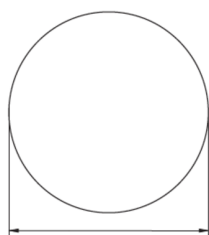
Maße EER / EEQ



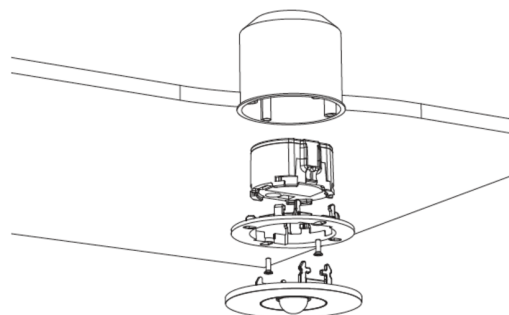
Einzelbatterie-Elektronik-Box (UH-1)



Lochausschnitt EER / EEQ



EEx023: 74mm
EEx029: 68mm



EExx029: Schaltdose notwendig (nicht im Lieferumfang enthalten)



ACCESSORY LIST

LSYS-B4 -

LSYS-F4 -

LSYS-R4 -

LSYS-S4 -

As of: 28.08.2024 - Subject to technical changes and errors.