



**Art.-Nr: EEQL431WL**  
**Safety luminaire Single Battery**  
**Ceiling mounting, Wireless Professional, 1 h, , IP20, Zinc die-cast, white**

LED safety light for illuminating escape and rescue routes according to DIN EN 60598-1, DIN EN 60598-222 and DIN EN 1838.

The recessed ceiling light made of zinc-aluminum adapts unobtrusively to the ceiling. In addition to conventional ceiling installation, it can also be installed in conventional and fire protection boxes. The status LED integrated into the lens does not interrupt the harmony of the housing. The use of diffuser lenses and powerful LED ERT technology achieves optimal light distribution and illumination of the escape and rescue routes. The innovative integrated lens carrier with quick-mounting device enables the flexible use of different lens types depending on the application. Round and corridor lenses are already included in the scope of delivery for each light.



[More information](#)



## TECHNICAL DATA

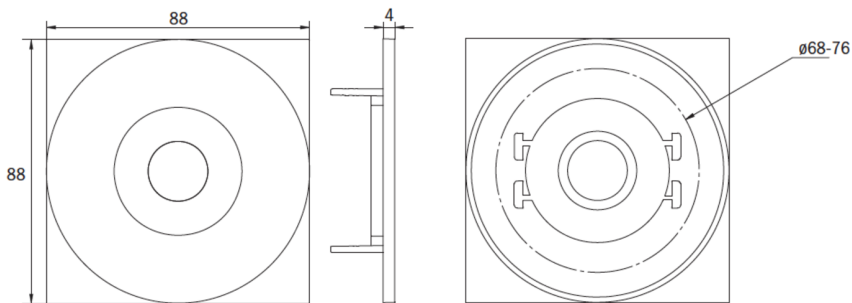
Luminaire type	Safety luminaire
Mounting	Ceiling mounting
Pictograph	No
Illuminant	LED
Housing material	Zinc die-cast
Housing color	white
Protection type (IP)	IP20
Impact resistance (IK)	≥ 3
Certification	WEEE, CE, ENEC
Insulation class	2
Supply	Single Battery
Monitoring	Wireless Professional
Bridging time	1 h
Battery	LFP3212.K-SET-2AKKU
Operating mode	Standby circuit / permanent circuit
Input voltageAC	230 V
Input frequency	50 Hz



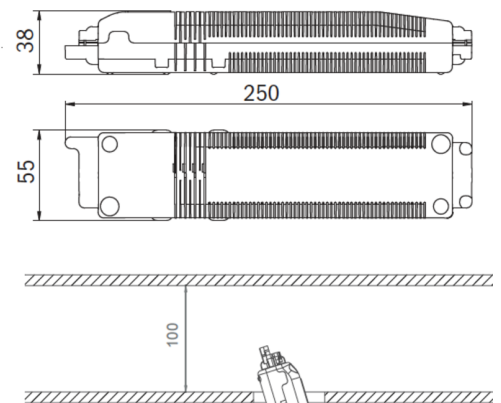
Power BS	0,8 W
Ambient temperature DS	-5 °C - 40 °C
Ambient temperature BS	-5 °C - 40 °C
Depth	88 mm
Width	88 mm
Height	4 mm
Installation dimensions Diameter	68 mm
Weight	0.5
Weight incl. packaging	0.63
Connection cross-section	2.5 mm <sup>2</sup>
Switching input	Yes
Emergency light blocking	Yes
Battery connection	Connector
Dimming function	Yes
Customs tariff number	94056180
EAN	4260682150578

## TECHNICAL DRAWING

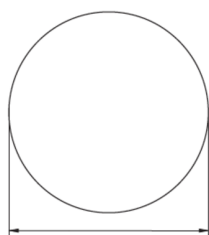
### Maße EER / EEQ



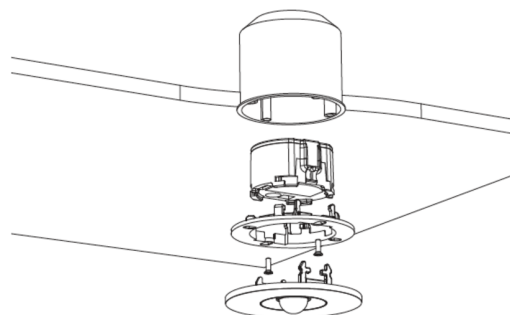
### Einzelbatterie-Elektronik-Box (UH-1)



### Lochsausschnitt EER / EEQ



EEx023: 74mm  
EEx029: 68mm



EExx029: Schaltdose notwendig (nicht im Lieferumfang enthalten)



## ACCESSORY LIST


LSYS-B4 -

LSYS-F4 -

LSYS-R4 -

LSYS-S4 -

## RELATED PRODUCTS

Art.-No.	Image	Monitoring	Supply	Color	Investment	Automatic log	Maintenance level	Remote maintenance	max. luminaires	Single luminaire monitoring
EEQL431WL-AZ		Wireless Professional	Single battery		€€	yes	low	yes	1,000 per system	central

As of: 16.07.2024 - Subject to technical changes and errors.