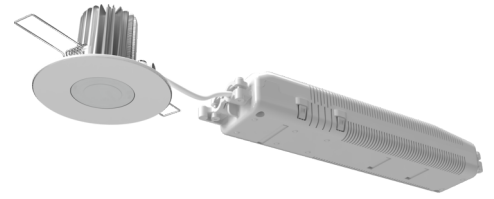




Art.-Nr: DDE039
Safety luminaire Centralised power supply systems
Ceiling mounting, CPS, CPS, , IP40, Zinc die-cast, white



The high-performance LED safety light complies with the emergency lighting requirements of DIN EN 60598-1, DIN EN 60598-2-22 and DIN EN 1838.

The luminaire is particularly suitable for installation in high ceilings. Due to the high light output, it can also provide the necessary safety lighting for workplaces with a particular risk.

Both the radiator and the heat sink are made of high-quality die-cast zinc. The material used ensures good heat dissipation and a long service life of the LED.

The tension springs mounted on the product make assembly much easier. Another plus point is its small installation dimensions, with a minimum ceiling cut-out of just 68mm.



[More information](#)



TECHNICAL DATA

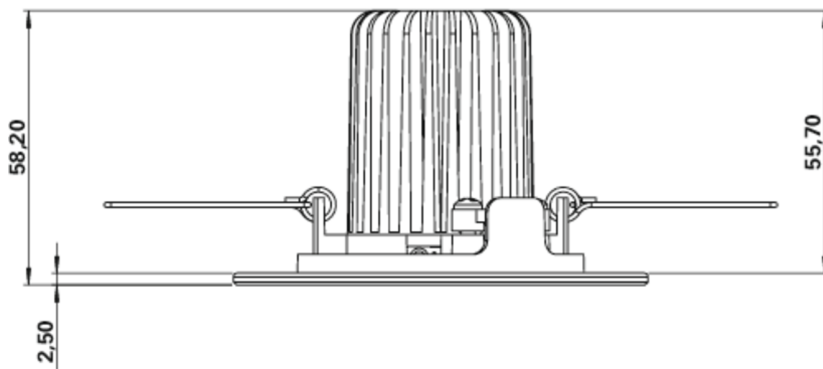
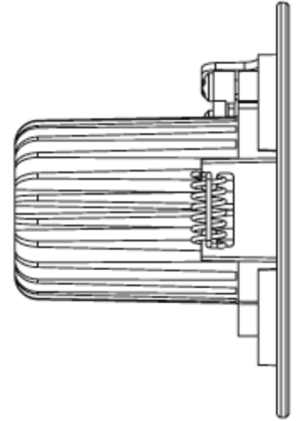
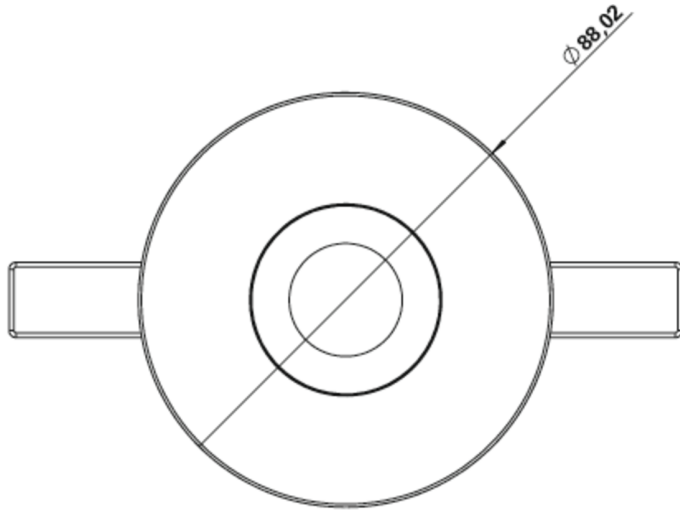
Luminaire type	Safety luminaire
Mounting	Ceiling mounting
Pictograph	No
Illuminant	LED
Housing material	Zinc die-cast
Housing color	white
Protection type (IP)	IP40
Impact resistance (IK)	8
Certification	CE, WEEE, ENEC
Insulation class	2
Supply	Centralised power supply systems
Monitoring	CPS
Bridging time	CPS
Operating mode	Permanent circuit
Input voltage AC	230 V
Input frequency	50 / 60 Hz
Input voltage DC	100-254 V
Power max.	7,1 W



Power DS	7,1 W
Power BS	0 W
Ambient temperature DS	-10 °C - 50 °C
Ambient temperature BS	-10 °C - 50 °C
Height	58 mm
Diameter	88 mm
Installation height	110 mm
Installation dimensions Diameter	68 mm
Weight	0.37
Weight incl. packaging	0.5
Connection cross-section	1.5 mm ²
Switching input	No
Emergency light blocking	No
Battery connection	No
Dimming function	No
Luminous flux mains	825 lm
Luminous flux emergency	825 lm
Customs tariff number	94056180
EAN	4260682152534



TECHNICAL DRAWING



As of: 17.07.2024 - Subject to technical changes and errors.