



Art.-Nr: BALLPLX-KBU

The transparent ball protection hood made of Plexiglas (PMMA) is suitable for use in sports halls. It is ball-proof according to DIN 18032 and IK10 provides a high level of protection against impact and impact stress. In addition to protection, it enables a direct, undisturbed view to the luminaire.

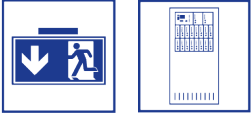


Mer informasjon

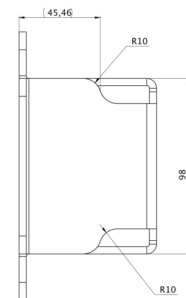
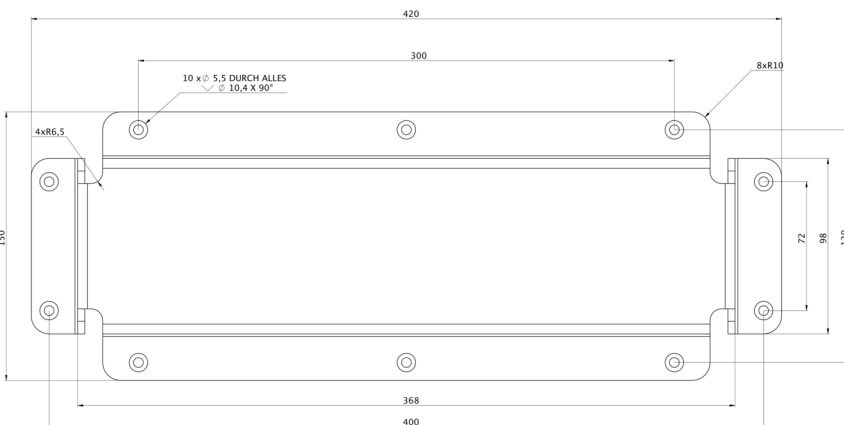
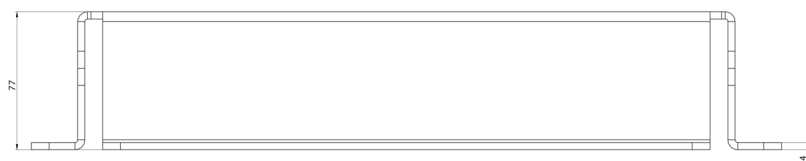
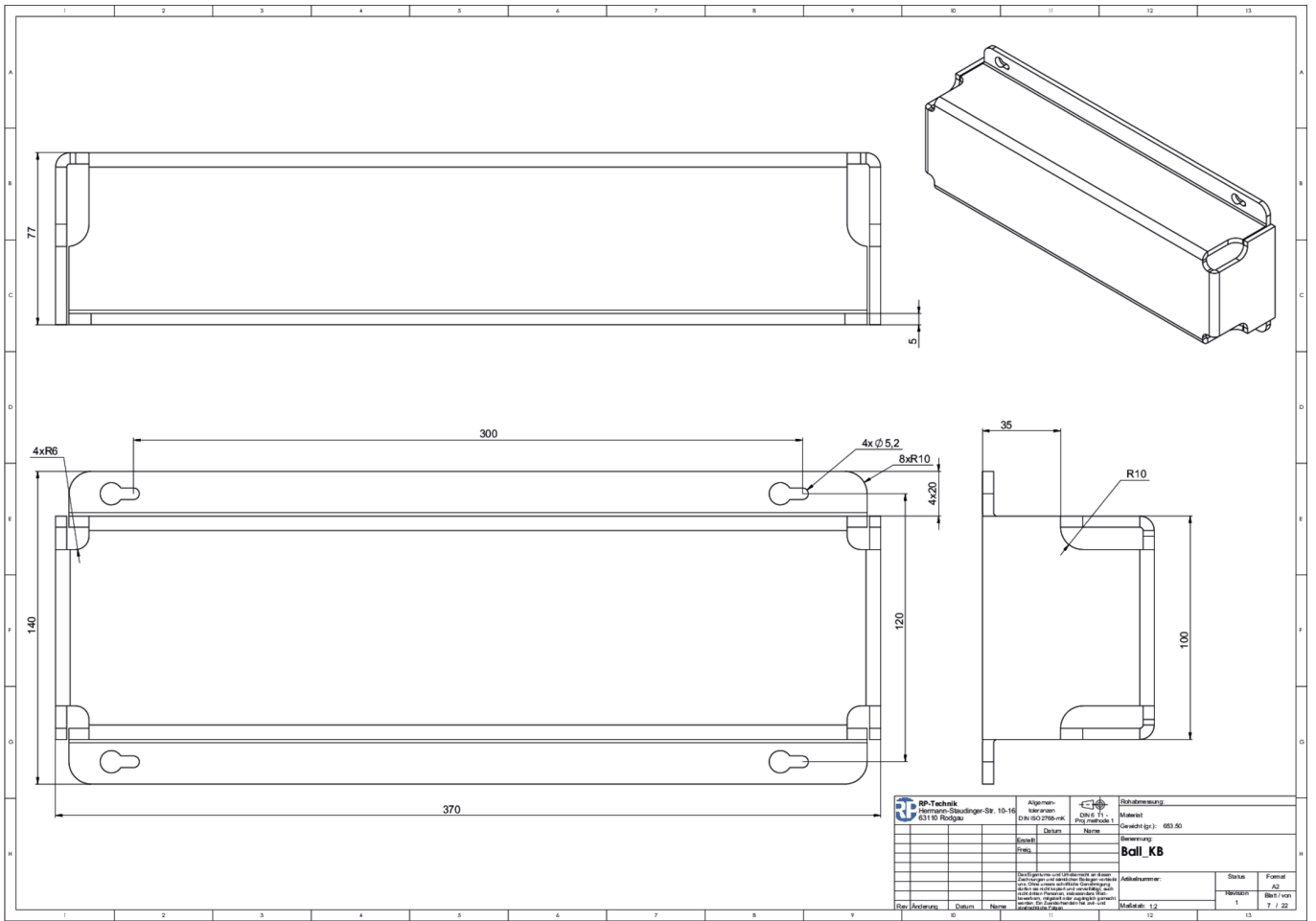
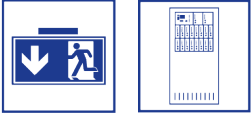


TEKNISKE DATA

dybde	77 mm
Bredde	150 mm
Høyde	420 mm
Vekt	0.54 kg
Tolltariffnummer	39269097
Opprinnelsesland	Deutschland
EAN	4260581710781



TEKNISK TEGNING



stand: 21.06.2024 - Det tas forbehold om tekniske endringer og feil.