



Exit sign

Art.-No.: AXEP009ML-E

The AXEP is a zinc-diecast exit sign with pendant fitting for recessed ceiling mounting for the marking of escape routes. It is part of a complete luminaire series, which features solutions for every mounting situation and was honored with the German Design Award. Luminaire of the A-Series are of course equipped with modern LED illuminants and offer the flexibility of changeable pictograms.

LED exit sign according to EN 60598-1, EN 60598-2-22, EN 7010 and EN 1838



TECHNICAL DATA

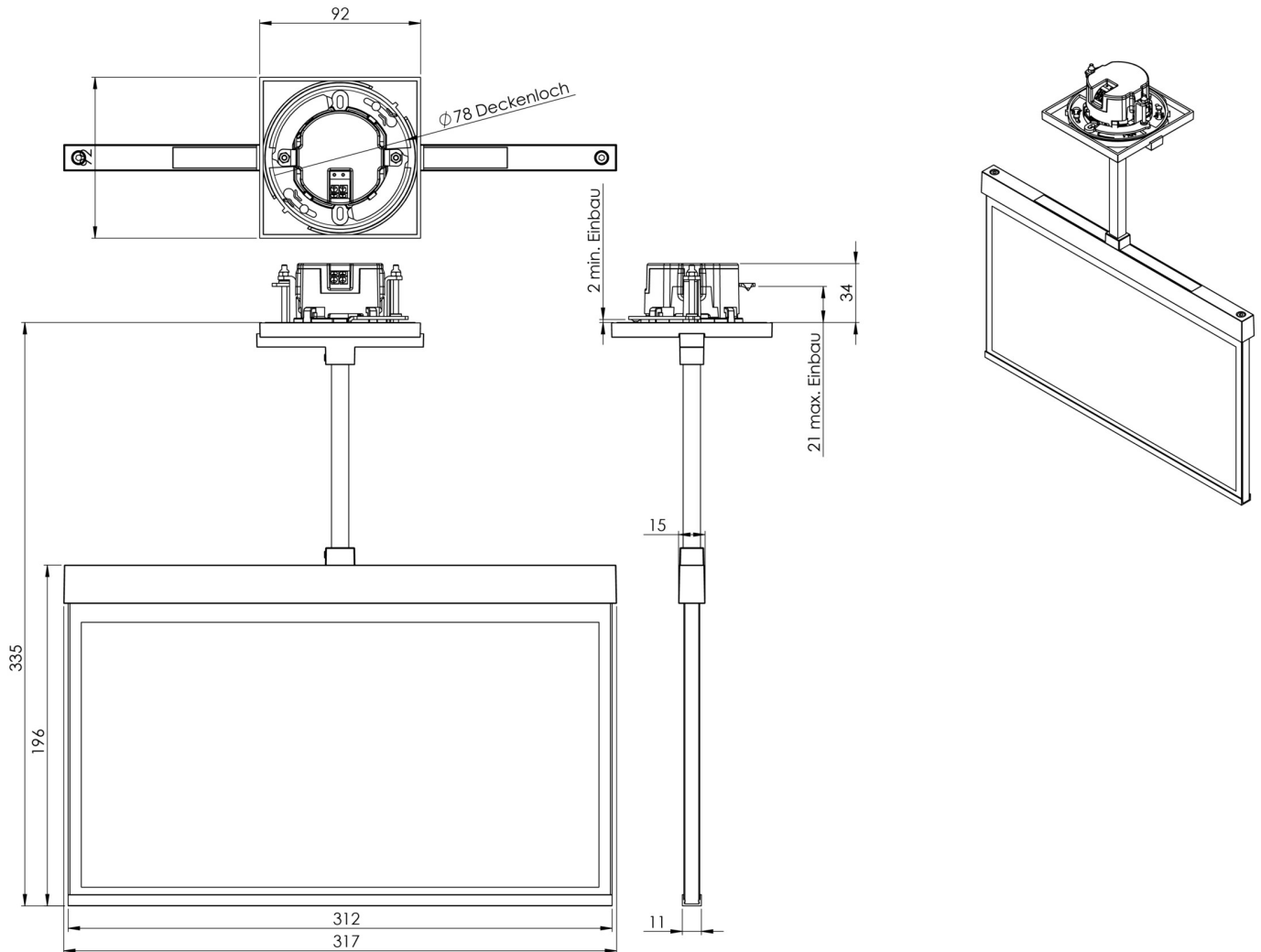
Luminaire type	Exit sign
Mounting	Recessed ceiling
Viewing distance	30 m
Pictograph	Set
Illuminant	LED
Housing material	Zinc die-cast
Colour	Stainless steel look
Mechanical rating IP	20
Impact resistance IK	≥ 3
Protection class	2
Supply	Central power supply system
Monitoring	ML - Central power supply system
Operation time	CPS
Operation mode	single luminaire switching
Input Voltage AC	230 V
Input Frequency Hz	50 / 60 Hz
Input Voltage DC	216 V
Power consumption max.	4,5 W
Power consumption maintained	4,5 W
Power consumption non-maintained	1,1 W
Ambient temperature maintained mode	-20 °C / 40 °C
Ambient temperature non-maintained mode	-20 °C / 40 °C
Length	79 mm
Width	312 mm



Height	204 mm
Install. dim. diameter	68 mm
Weight	2.28 kg
Weight incl. Packaging	2.77 kg
Connection cross-section	2.5 mm
Switching input L'	Yes
Emergency light blocking	No
Battery connector	None
Dimming function	Yes
Customs tariff number	94056180
Coutry of origin	Germany
EAN	4260581715847



TECHNICAL DRAWING



ACCESSORIES

AM-X-PKG... -