



Art.-Nr: AXEC009-AZ
Exit sign Centralised power supply systems
Ceiling mounting, Without monitoring, CPS, 30 m, IP20, Zinc die-cast, Anthracite

Modern zinc die-cast emergency exit sign luminaire with wire suspension for recessed mounting in the ceiling. With an installation diameter of 68 mm, this luminaire can be easily integrated into many environments. Escape and emergency routes can be identified on either one or two sides.

It is part of the A series luminaire family, which provides solutions for any mounting and has won the German Design Award for its uniform, straight-line design.

The innovative integrated lens holder with a rapid fitting fixture permits the flexible use of various lens types. Using the right lens allows the distribution of light to be matched perfectly to the application and simplifies illumination which satisfies all relevant standards. A round lens and hall lens are supplied with every luminaire, allowing it to be adapted perfectly to the respective mounting situation. Other lenses, such as a spotlight lens, beam lens or H lens, are available as options.



More information
www.rp-group.com/en/item/AXEC009-AZ



TECHNICAL DATA

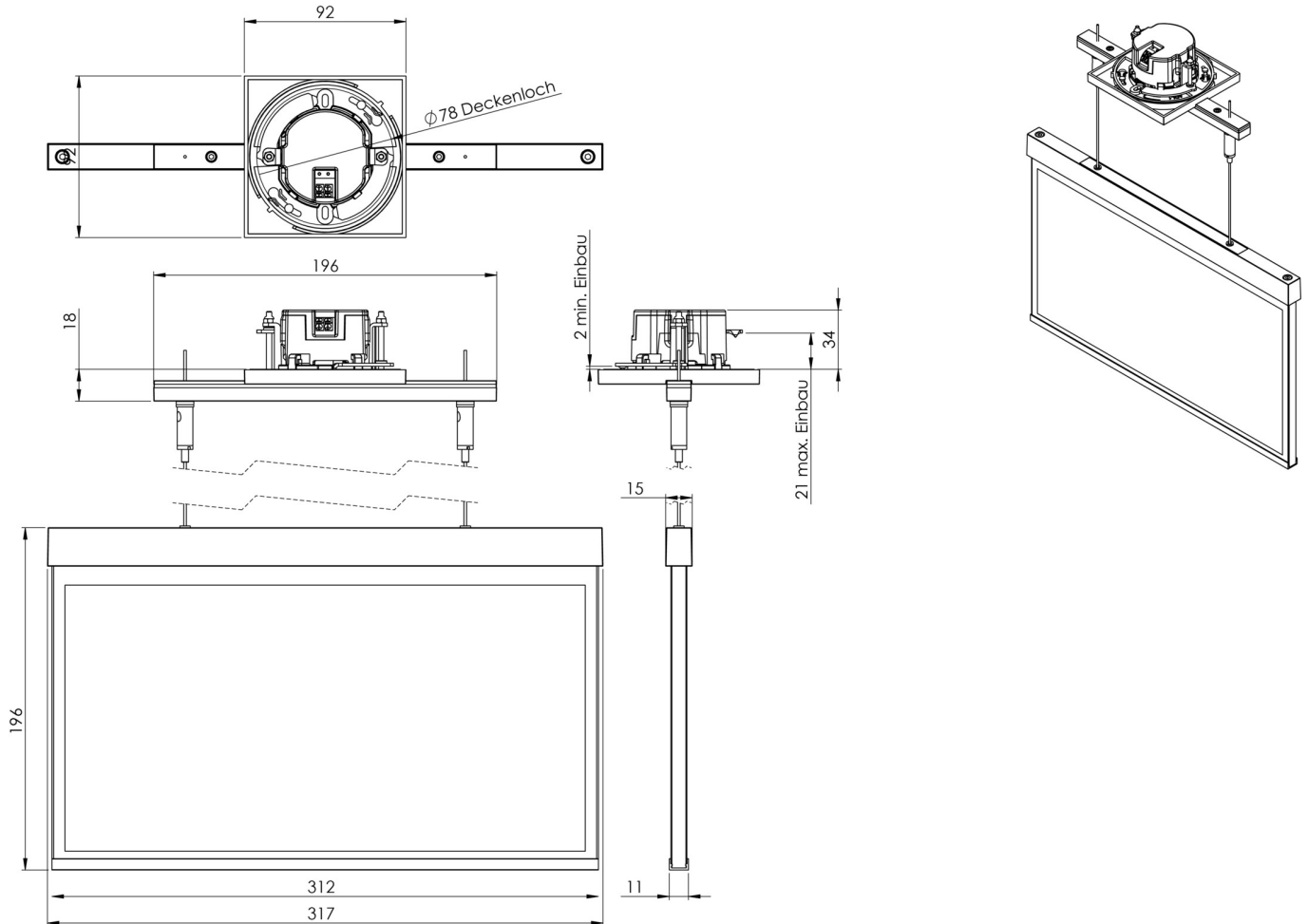
Luminaire type	Exit sign
Mounting	Ceiling mounting
Recognition distance	30 m
Pictograph	Set
Illuminant	LED
Housing material	Zinc die-cast
Housing color	Anthracite
Protection type (IP)	IP20
Impact resistance (IK)	≥ 3
Certification	WEEE, CE
Insulation class	2
Supply	Centralised power supply systems
Monitoring	Without monitoring
Bridging time	CPS



Battery	/
Operating mode	Permanent circuit
Input voltage AC	230 V
Input frequency	50 / 60 Hz
Input voltage DC	100-254 V
Power max.	3,3 W
Power DS	3,3 W
Power BS	0 W
Ambient temperature DS	-25 °C - 40 °C
Ambient temperature BS	-25 °C - 40 °C
Depth	92 mm
Width	312 mm
Height	225 mm
Installation dimensions Diameter	68 mm
Weight	2.06
Weight incl. packaging	2.55
Connection cross-section	1.5 mm ²
Switching input	No
Emergency light blocking	No
Battery connection	No
Dimming function	No
Customs tariff number	94056180
EAN	4260659561642



TECHNICAL DRAWING



As of: 23.08.2024 - Subject to technical changes and errors.