



Art.-Nr: AXE403SC

Exit sign

Ceiling mounting, SelfControl (SC), 3 h, 30 m, IP20, Zinc die-cast, white

Modern zinc die-cast emergency exit sign luminaire for recessed mounting in the ceiling. With an installation diameter of 68 mm, this luminaire can be easily integrated into many environments. Escape and emergency routes can be identified on either one or two sides.

It is part of the A series luminaire family, which provides solutions for any mounting and has won the German Design Award for its uniform, straight-line design.

Automatic monitoring of safety luminaire with SelfControl. The innovative integrated lens holder with a rapid fitting fixture permits the flexible use of various lens types. Using the right lens allows the distribution of light to be matched perfectly to the application and simplifies illumination which satisfies all relevant standards. A round lens and hall lens are supplied with every luminaire, allowing it to be adapted perfectly to the respective mounting situation. Other lenses, such as a spotlight lens, beam lens or H lens, are available as options.



More information

www.rp-group.com/en/item/AXE403SC



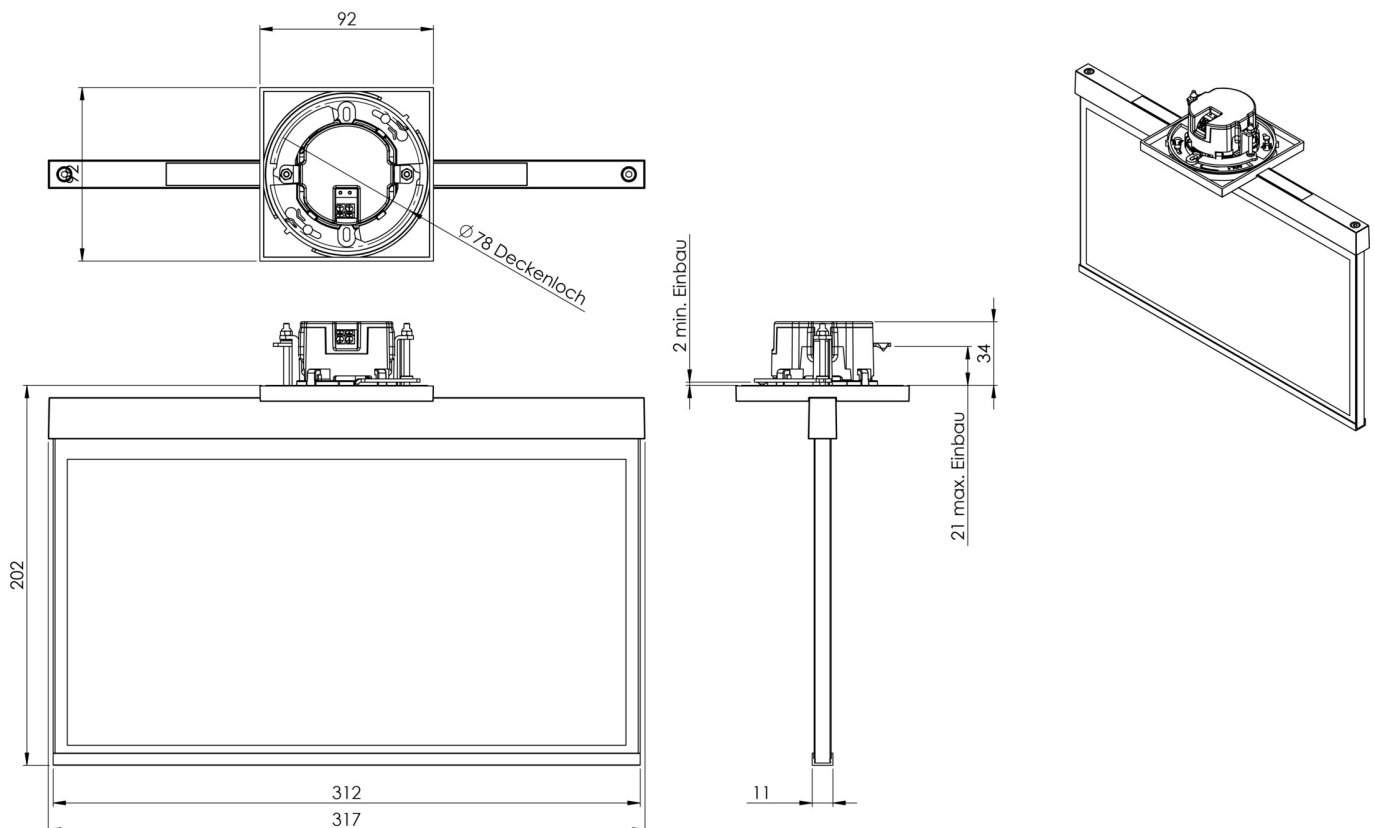
TECHNICAL DATA

| | |
|------------------------|------------------|
| Luminaire type | Exit sign |
| Mounting | Ceiling mounting |
| Recognition distance | 30 m |
| Pictograph | Set |
| Illuminant | LED |
| Housing material | Zinc die-cast |
| Housing color | white |
| Protection type (IP) | IP20 |
| Impact resistance (IK) | ≥ 3 |
| Certification | WEEE, CE |
| Insulation class | 2 |
| Monitoring | SelfControl (SC) |
| Bridging time | 3 h |
| Battery | 6,4 V 1,2 Ah/ |



| | |
|----------------------------------|---------------|
| Power max. | 4,2 W |
| Power DS | 3,4 W |
| Power BS | 0,9 W |
| Ambient temperature DS | -5 °C - 40 °C |
| Ambient temperature BS | -5 °C - 40 °C |
| Depth | 79 mm |
| Width | 312 mm |
| Height | 194 mm |
| Installation dimensions Diameter | 68 mm |
| Weight | 1.99 |
| Weight incl. packaging | 2.48 |
| Customs tariff number | 94056180 |
| EAN | 4260766555565 |

TECHNICAL DRAWING



As of: 23.08.2024 - Subject to technical changes and errors.