



Art.-Nr: AXDT009ML

**Exit sign, Safety luminaire Centralised power supply systems
Ceiling, Central power supply (ML), CPS, 30 m, IP40, Zinc die-
cast, white**

Modern zinc die-cast emergency exit sign/safety luminaire with wire suspension for surface mounting on the ceiling. Escape and emergency routes can be identified on either one or two sides. In the event of power failure, duo technology means that the escape and emergency routes are illuminated by an additional LED.

It is part of the A series luminaire family, which provides solutions for any mounting and has won the German Design Award for its uniform, straight-line design.

Control and monitoring via central power supply system. The innovative integrated lens holder with a rapid fitting fixture permits the flexible use of various lens types. Using the right lens allows the distribution of light to be matched perfectly to the application and simplifies illumination which satisfies all relevant standards. A round lens and hall lens are supplied with every luminaire, allowing it to be adapted perfectly to the respective mounting situation. Other lenses, such as a spotlight lens, beam lens or H lens, are available as options.



More information

www.rp-group.com/en/item/AXDT009ML



TECHNICAL DATA

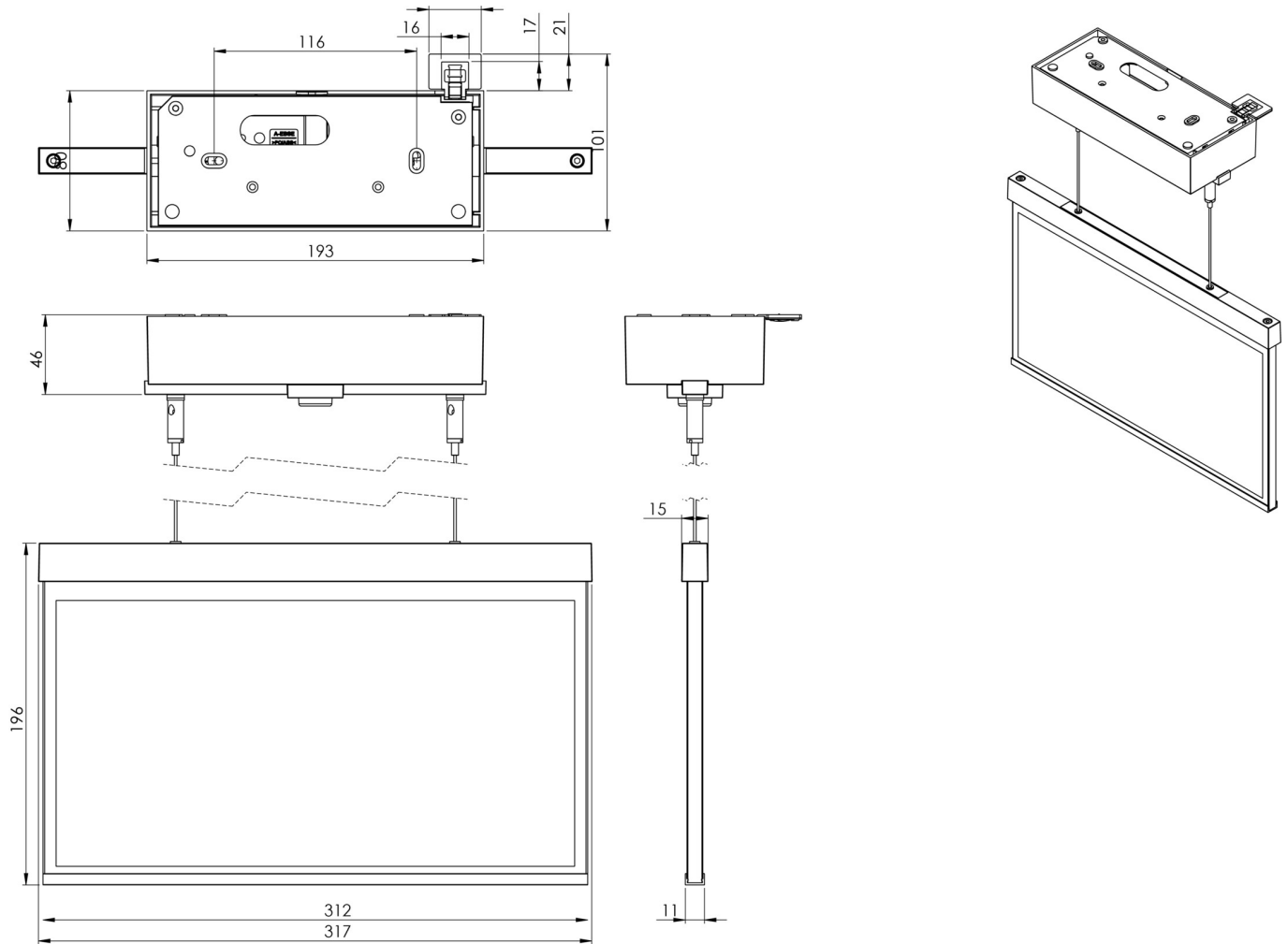
Luminaire type	Exit sign, Safety luminaire
Mounting	Ceiling
Recognition distance	30 m
Pictograph	Set
Illuminant	LED
Housing material	Zinc die-cast
Housing color	white
Protection type (IP)	IP40
Impact resistance (IK)	≥ 3
Certification	WEEE, CE
Insulation class	2
Supply	Centralised power supply systems
Monitoring	Central power supply (ML)



Bridging time	CPS
Battery	/
Operating mode	single luminaire switching
Input voltage AC	230 V
Input frequency	50 / 60 Hz
Input voltage DC	216 V
Power max.	4,9 W
Power DS	3,4 W
Power BS	1,1 W
Ambient temperature DS	-20 °C - 40 °C
Ambient temperature BS	-20 °C - 40 °C
Depth	80 mm
Width	312 mm
Height	228 mm
Weight	2.09
Weight incl. packaging	2.58
Connection cross-section	2.5 mm ²
Switching input	Yes
Emergency light blocking	No
Battery connection	No
Dimming function	Yes
Luminous flux emergency	100 lm
Customs tariff number	94056180
EAN	4260581715618



TECHNICAL DRAWING



ACCESSORY LIST

AM-X-APA - Surface-mounted adapter AM/AX



RELATED PRODUCTS

Art.-No.	Image	Monitoring	Supply	Color	Investment	Automatic log	Maintenance level	Remote maintenance	max. luminaires	Single luminaire monitoring
AXDT009ML-AZ		Central power supply (ML)	Central power supply	RAL 7016	€€€	Yes	low	Yes	1,920 per system	central
AXDT009ML-E		Central power supply (ML)	Central power supply	Edelstahl	€€€	Yes	low	Yes	1,920 per system	central

As of: 23.08.2024 - Subject to technical changes and errors.