



Art.-Nr: AXCP509CC-AZ
Exit sign Centralised power supply systems
Ceiling mounting, CoreCompact 24, CPS, 30 m, IP20, Zinc die-cast, Anthracite

The AXCP is a zinc-diecast exit sign with pendant fitting for recessed ceiling mounting and for the marking of escape routes. It is part of a complete luminaire series, which features solutions for every mounting situation and was honored with the German Design Award. Luminaires of the A-Series are equipped with modern LED illuminants and offer flexibility with changeable pictograms.

LED exit sign according to EN 60598-1, EN 60598-2-22, EN 7010 and EN 1838



[More information](#)



TECHNICAL DATA

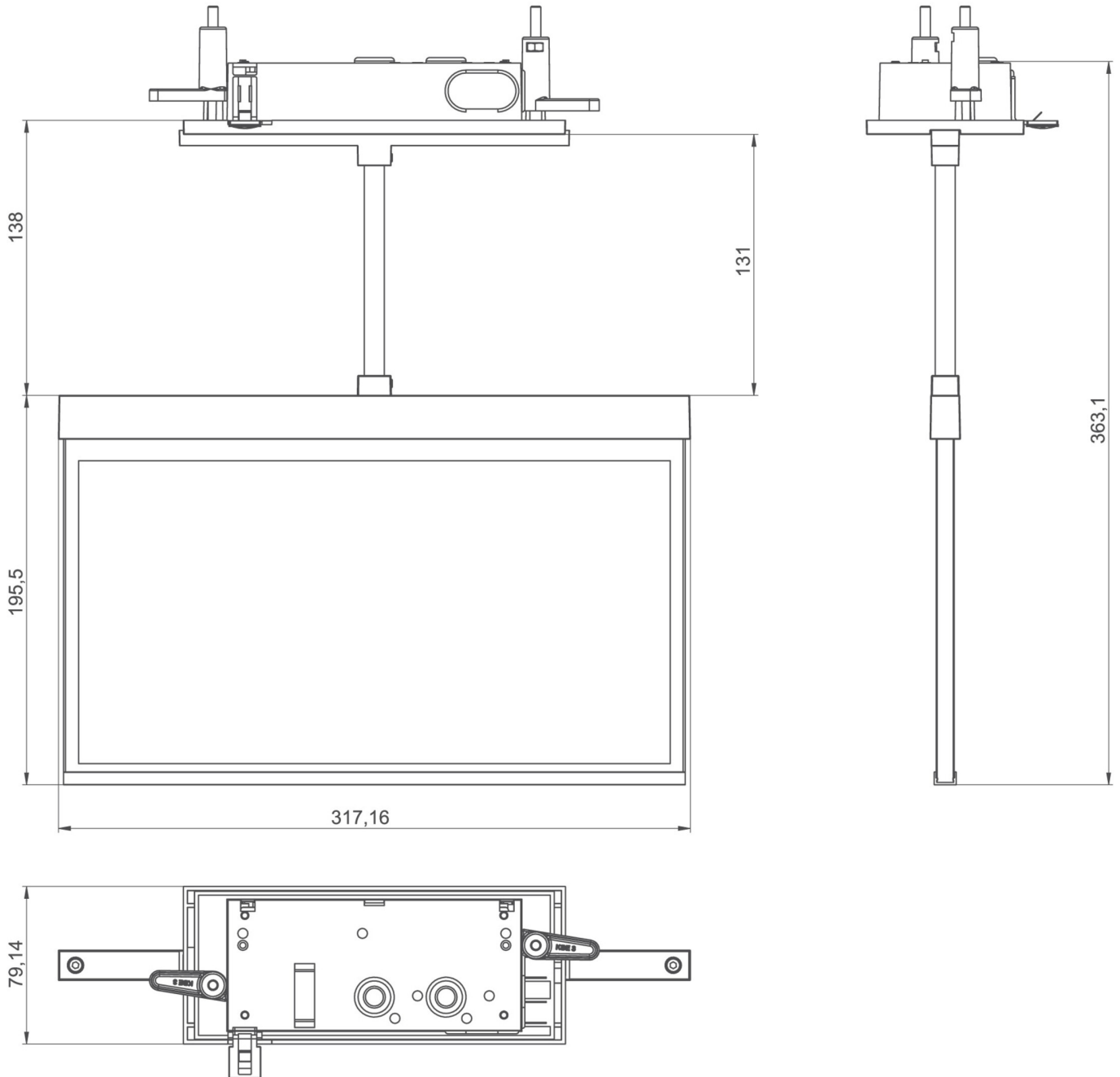
Luminaire type	Exit sign
Mounting	Ceiling mounting
Recognition distance	30 m
Pictograph	Set
Illuminant	LED
Housing material	Zinc die-cast
Housing color	Anthracite
Protection type (IP)	IP20
Impact resistance (IK)	≥ 3
Certification	WEEE, CE, ENEC
Insulation class	2
Supply	Centralised power supply systems
Monitoring	CoreCompact 24
Bridging time	CPS
Operating mode	Standby circuit / permanent circuit
Input voltageAC	24 V
Power max.	3,4 W
Power DS	3,4 W
Power BS	0,4 W
Ambient temperature DS	-5 °C - 40 °C



Ambient temperature BS	-5 °C - 40 °C
Depth	79 mm
Width	317 mm
Height	205 mm
Installation length	176 mm
Installation width	68 mm
Installation height	40 mm
Weight	1.65
Weight incl. packaging	2.14
Connection cross-section	2.5 mm ²
Switching input	No
Emergency light blocking	No
Battery connection	No
Luminous flux mains	230 lm
Luminous flux emergency	230 lm
Customs tariff number	94056180
EAN	4260682156679



TECHNICAL DRAWING



ACCESSORY LIST

- AM-XBE -
- AM-X-PKG -



RELATED PRODUCTS

Art.-No.	Image	Monitoring	Supply	Color	Investment	Automatic log	Maintenance level	Remote maintenance	max. luminaires	Single luminaire monitoring
AXCP009ML		ML	Central power supply		€€€	Yes	low	Yes	1,920 per system	central
AXCP009ML-AZ		ML	Central power supply		€€€	Yes	low	Yes	1,920 per system	central
AXCP009MLE		ML	Central power supply		€€€	Yes	low	Yes	1,920 per system	central
AXCP509CC		CoreCompact 24	Central power supply		€€	Yes	low	Yes		central
AXCP509CCE		CoreCompact 24	Central power supply		€€	Yes	low	Yes		central

As of: 22.07.2024 - Subject to technical changes and errors.