



Art.-Nr: ASMU519CC-WS
Exit sign Centralised power supply systems
Universal, CoreCompact 24 (CC), CPS, 22 m, IP40,
Aluminium, white

Multi-functional aluminium emergency exit sign luminaire for universal mounting. As a result of the clever structure, the recesses for cable entry and fastening are integrated, both for ceiling and wall mounting. Visually appealing side parts cover the lock mechanism so that the luminaire conveys a harmonious and fully closed impression.

Control and monitoring via central 24 V low-power system. The innovative integrated lens holder with a rapid fitting fixture permits the flexible use of various lens types. Using the right lens allows the distribution of light to be matched perfectly to the application and simplifies illumination which satisfies all relevant standards. A round lens and hall lens are supplied with every luminaire, allowing it to be adapted perfectly to the respective mounting situation. Other lenses, such as a spotlight lens, beam lens or H lens, are available as options.



More information

www.rp-group.com/en/item/ASMU519CC-WS



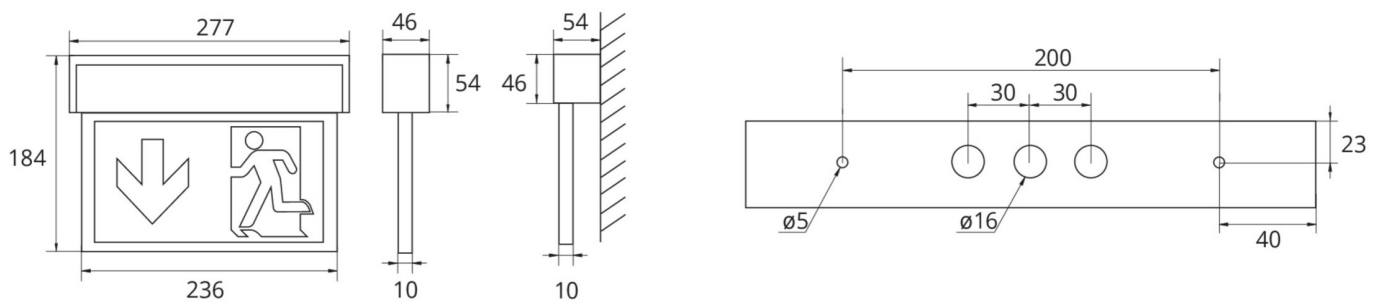
TECHNICAL DATA

Luminaire type	Exit sign
Mounting	Universal
Recognition distance	22 m
Pictograph	Set
Illuminant	LED
Housing material	Aluminium
Housing color	white
Protection type (IP)	IP40
Impact resistance (IK)	3
Certification	WEEE, CE, ENEC, TÜV Rheinland Type approved
Insulation class	3
Supply	Centralised power supply systems
Monitoring	CoreCompact 24 (CC)
Bridging time	CPS
Battery	/



Operating mode	Standby circuit / permanent circuit
Input voltageAC	24 V
Power max.	2,1 W
Power DS	2,1 W
Power BS	0,4 W
Ambient temperature DS	-5 °C - 40 °C
Ambient temperature BS	-5 °C - 40 °C
Depth	54 mm
Width	277 mm
Height	184 mm
Weight	0.75
Weight incl. packaging	0.92
Connection cross-section	2.5 mm ²
Switching input	No
Emergency light blocking	No
Battery connection	No
Dimming function	Yes
Customs tariff number	94056180
EAN	4260682156594

TECHNICAL DRAWING



ACCESSORY LIST

- DSA - Wire suspension
- 2PS-EB - Pendant

As of: 23.08.2024 - Subject to technical changes and errors.