



**Art.-Nr: ASMU418WL-WS**  
**Exit sign Single Battery**  
**Universal, Wireless Professional (WL), 8 h, 22 m, IP40,**  
**Aluminium, Anodised aluminium**

Multi-functional aluminium emergency exit sign luminaire for universal mounting. As a result of the clever structure, the recesses for cable entry and fastening are integrated, both for ceiling and wall mounting. Visually appealing side parts cover the lock mechanism so that the luminaire conveys a harmonious and fully closed impression.

Wireless central control and monitoring for large installations of up to 50,000 luminaires with Wireless Professional. The innovative integrated lens holder with a rapid fitting fixture permits the flexible use of various lens types. Using the right lens allows the distribution of light to be matched perfectly to the application and simplifies illumination which satisfies all relevant standards. A round lens and hall lens are supplied with every luminaire, allowing it to be adapted perfectly to the respective mounting situation. Other lenses, such as a spotlight lens, beam lens or H lens, are available as options.



More information

[www.rp-group.com/en/item/ASMU418WL-WS](http://www.rp-group.com/en/item/ASMU418WL-WS)



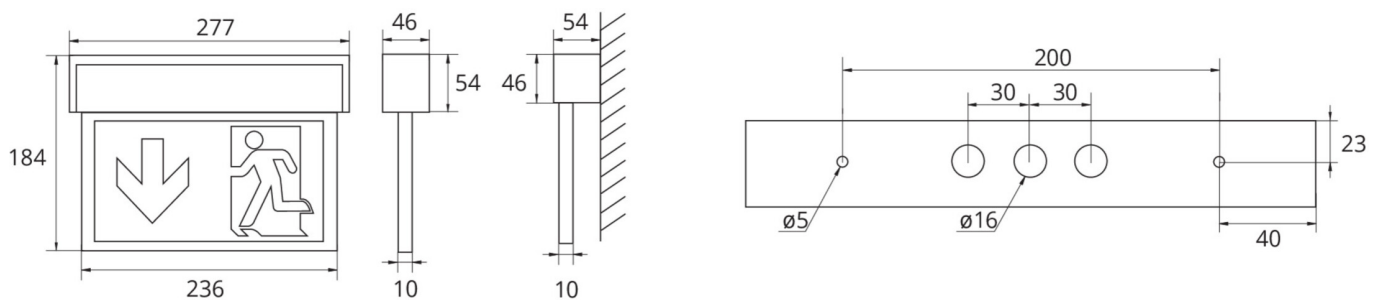
## TECHNICAL DATA

|                        |   |
|------------------------|---|
| Luminaire type         | Exit sign                                   |
| Mounting               | Universal                                   |
| Recognition distance   | 22 m  |
| Pictograph             | Set   |
| Illuminant             | LED   |
| Housing material       | Aluminium                                   |
| Housing color          | Anodised aluminium                          |
| Protection type (IP)   | IP40  |
| Impact resistance (IK) | 3   |
| Certification          | WEEE, CE, ENEC, TÜV Rheinland Type approved |
| Insulation class       | 1   |
| Supply                 | Single Battery                              |
| Monitoring             | Wireless Professional (WL)                  |
| Bridging time          | 8 h   |
| Battery                | /   |



|                          |                                     |
|--------------------------|-------------------------------------|
| Operating mode           | Standby circuit / permanent circuit |
| Input voltage AC         | 230 V                               |
| Input frequency          | 50 / 60 Hz                          |
| Input voltage DC         | - V                                 |
| Power max.               | 5,3 W                               |
| Power DS                 | 3,9 W                               |
| Power BS                 | 1,5 W                               |
| Ambient temperature DS   | -5 °C - 40 °C                       |
| Ambient temperature BS   | -5 °C - 40 °C                       |
| Depth                    | 54 mm                               |
| Width                    | 277 mm                              |
| Height                   | 184 mm                              |
| Weight                   | 0.81                                |
| Weight incl. packaging   | 0.98                                |
| Connection cross-section | 2.5 mm <sup>2</sup>                 |
| Switching input          | Yes                                 |
| Emergency light blocking | No                                  |
| Battery connection       | Connector                           |
| Dimming function         | No                                  |
| Luminous flux mains      | 190 lm                              |
| Luminous flux emergency  | 85 lm                               |
| Customs tariff number    | 94056180                            |
| EAN                      | 4262483020128                       |

## TECHNICAL DRAWING





## ACCESSORY LIST

DSA - Wire suspension

2PS-EB - Pendant

As of: 23.08.2024 - Subject to technical changes and errors.