



Exit sign

Art.-No.: ASMU013-WS-ARGUS

ASMU is an innovative aluminium multifunctional edge luminaire for universal mounting (wall/ceiling). It is suited for maintained and non-maintained mode. It's easy to install and has variably useable pictograms to increase planning security. Pictogram set (left, right, straight up and down, blind) included. Signs according to EN 60598-1, EN 60598-2-22 and EN 1838 norms.



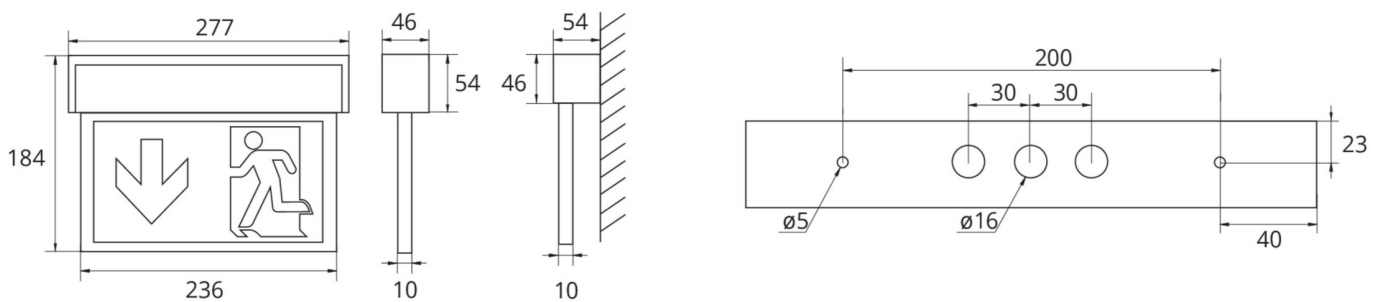
TECHNICAL DATA

| | |
|---|--------------------------------|
| Luminaire type | Exit sign |
| Mounting | Universal |
| Viewing distance | 22 m |
| Pictograph | Set |
| Illuminant | LED |
| Housing material | Aluminium |
| Colour | Alu anodized |
| Mechanical rating IP | 40 |
| Impact resistance IK | 3 |
| Protection class | 1 |
| Supply | Single battery |
| Operation time | 3 h |
| Battery | 3.2V / 3.3 Ah LiFePO4 |
| Operation mode | maintained/non-maintained mode |
| Input Voltage AC | 230 V |
| Input Frequency Hz | 50 / 60 Hz |
| Input Voltage DC | - V |
| Power consumption max. | 5,3 W |
| Power consumption maintained | 3,9 W |
| Power consumption non-maintained | 1,5 W |
| Ambient temperature maintained mode | -5 °C / 40 °C |
| Ambient temperature non-maintained mode | -5 °C / 40 °C |
| Length | 54 mm |
| Width | 277 mm |
| Height | 184 mm |



| | |
|------------------------------|---------------|
| Weight | 0.89 kg |
| Weight incl. Packaging | 1.06 kg |
| Connection cross-section | 2.5 mm |
| Switching input L' | Yes |
| Emergency light blocking | No |
| Battery connector | Plug |
| Dimming function | No |
| Luminous flux mains mode | 190 lm |
| Luminous flux emergency mode | 190 lm |
| Customs tariff number | 94056180 |
| Country of origin | Germany |
| EAN | 4260682149565 |

TECHNICAL DRAWING



ACCESSORIES

DSA - cord suspension set 1,5m

2PS-EB -