



Exit sign/emergency luminaire Art.-No.: AMWT009ML-AZ

The AMWT is a zinc-diecast exit sign for wall mounting for the marking of escape routes. It is part of a complete luminaire series, which features solutions for every mounting situation and was honored with the German Design Award. Luminaires of the A-Series are equipped with modern LED illuminants and offer flexibility with changeable pictograms. The AMWT features Duo-technology which includes a second LED to light the area below the luminaire.

LED exit sign according to EN 60598-1, EN 60598-2-22, EN 7010 and EN 1838



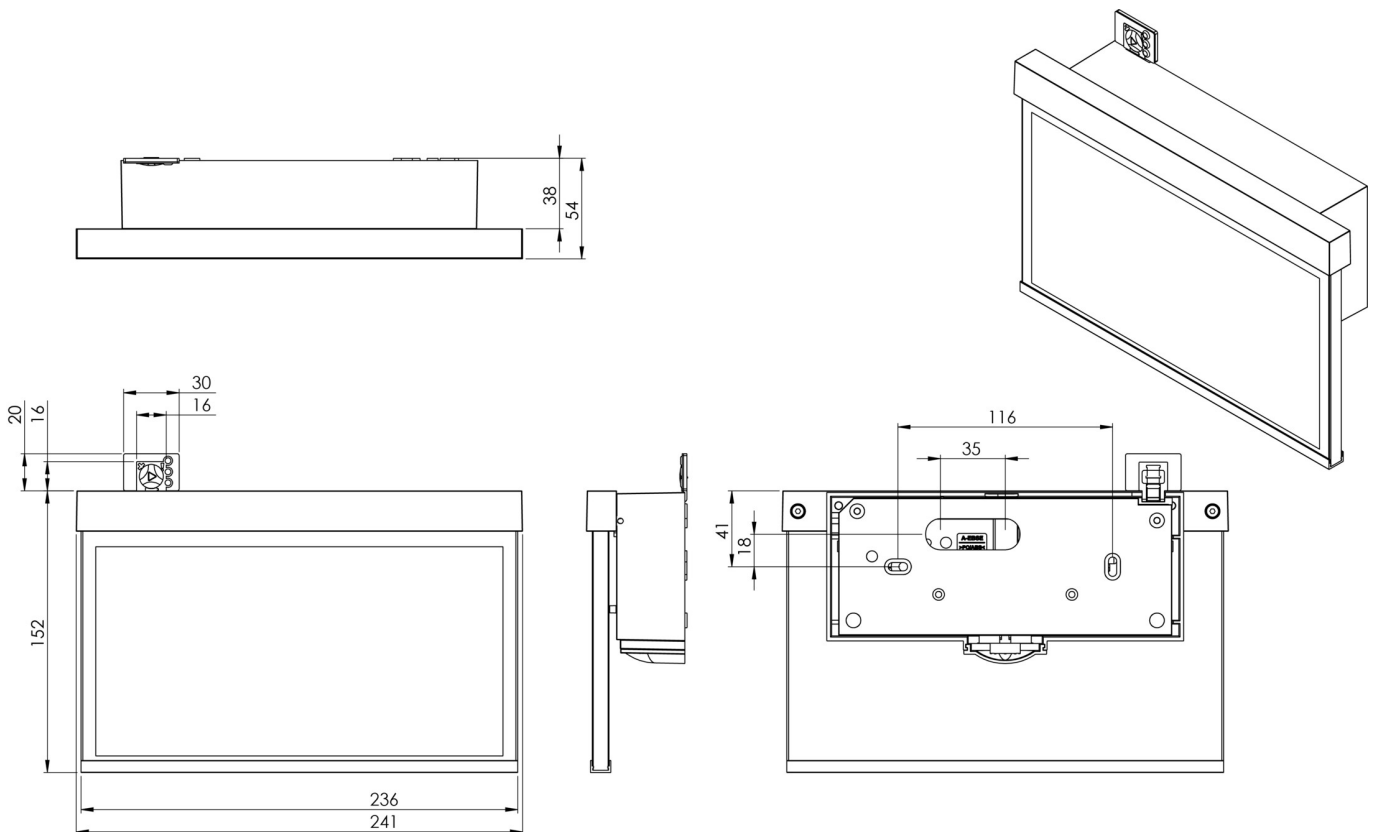
TECHNICAL DATA

Luminaire type	Exit sign / ER-light
Mounting	Wall mounted
Viewing distance	22 m
Pictograph	Set
Illuminant	LED
Housing material	Zinc die-cast
Colour	RAL 7016
Mechanical rating IP	40
Impact resistance IK	≥ 3
Protection class	2
Supply	Central power supply system
Monitoring	ML - Central power supply system
Operation time	CPS
Operation mode	single luminaire switching
Input Voltage AC	230 V
Input Frequency Hz	50 / 60 Hz
Input Voltage DC	216 V
Power consumption max.	4,2 W
Power consumption maintained	3,1 W
Power consumption non-maintained	1,1 W
Ambient temperature maintained mode	-20 °C / 40 °C
Ambient temperature non-maintained mode	-20 °C / 40 °C
Length	51 mm



Width	241 mm
Height	167 mm
Weight	1.25 kg
Weight incl. Packaging	1.61 kg
Connection cross-section	2.5 mm
Switching input L'	Yes
Emergency light blocking	No
Battery connector	None
Dimming function	Yes
Luminous flux emergency mode	100 lm
Customs tariff number	94056180
Country of origin	Germany
EAN	4260581714758

TECHNICAL DRAWING





ACCESSORIES

BALLPLX-AM - Ball protection 330x250x77mm incl. fastening

AM-X-APA - Surface mounting adapter for lateral cable feed