



**Art.-Nr: AMW403WL-AZ**  
**Exit sign Single Battery**  
**Wall, Wireless Professional, 3 h, 22 m, IP40, Zinc die-cast,**  
**Anthracite**

The AMW is a zinc-diecast exit sign for wall mounting and for the marking of escape routes. It is part of a complete luminaire series, which features solutions for every mounting situation and was honored with the German Design Award. Luminaires of the A-Series are equipped with modern LED illuminants and offer flexibility with changeable pictograms.

LED exit sign according to EN 60598-1, EN 60598-2-22, EN 7010 and EN 1838



More information



## TECHNICAL DATA

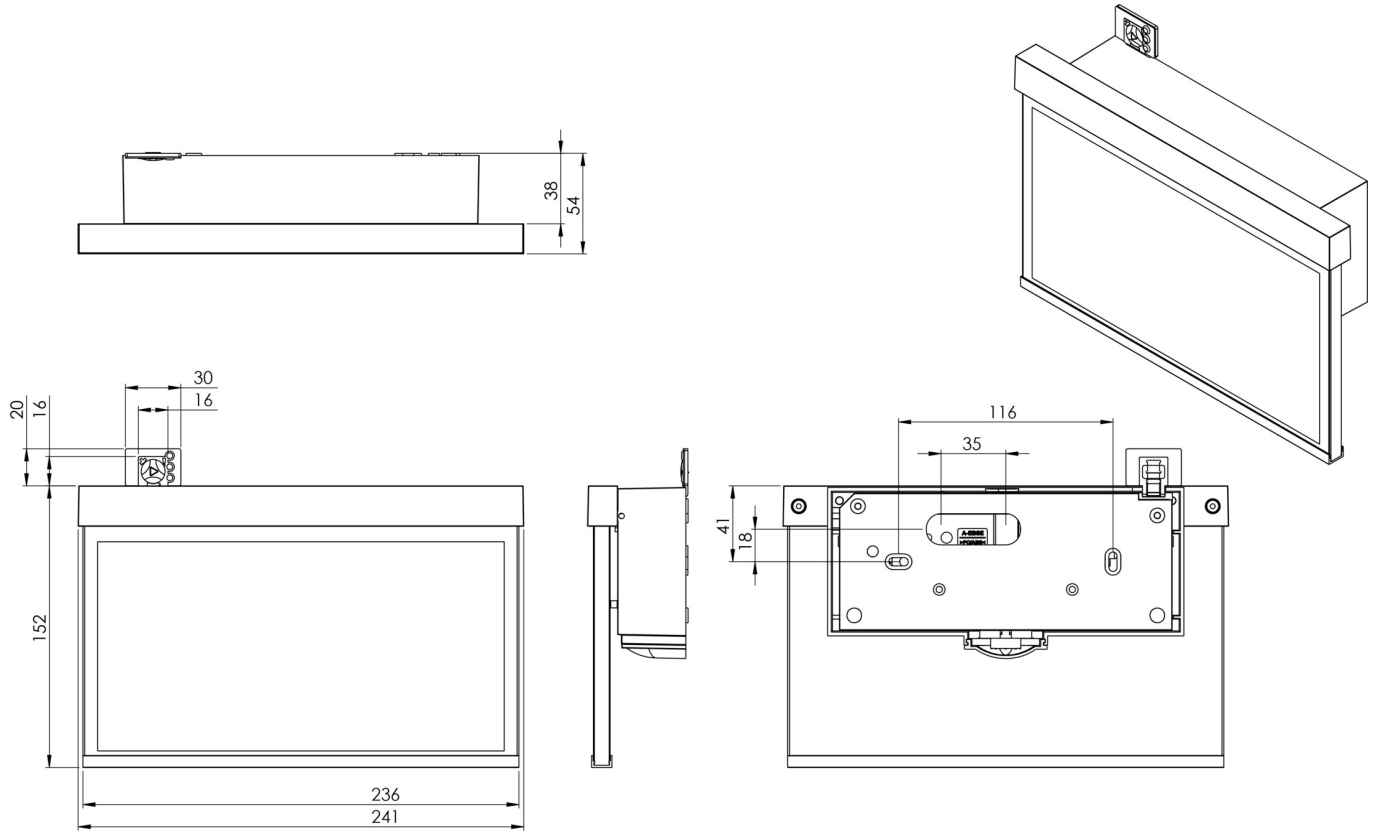
Luminaire type	Exit sign
Mounting	Wall
Recognition distance	22 m
Pictograph	Set
Illuminant	LED
Housing material	Zinc die-cast
Housing color	Anthracite
Protection type (IP)	IP40
Impact resistance (IK)	≥ 3
Certification	WEEE, CE, ENEC
Insulation class	2
Supply	Single Battery
Monitoring	Wireless Professional
Bridging time	3 h
Battery	LFP3212.K-SET-2AKKU
Operating mode	Standby circuit / permanent circuit
Input voltageAC	230 V
Input frequency	50 Hz
Power max.	4,7 W
Power DS	3,5 W



Power BS	0,8 W
Ambient temperature DS	-5 °C - 40 °C
Ambient temperature BS	-5 °C - 40 °C
Depth	50 mm
Width	236 mm
Height	151 mm
Weight	1.4
Weight incl. packaging	1.76
Connection cross-section	2.5 mm <sup>2</sup>
Switching input	Yes
Emergency light blocking	Yes
Battery connection	Connector
Dimming function	Yes
Customs tariff number	94056180
EAN	4260682153388



## TECHNICAL DRAWING



## ACCESSORY LIST



BALLPLX-AM -

AM-X-APA -

LFP3212.K-SET-2AKKU - LiFePO4 Battery



## RELATED PRODUCTS

Art.-No.	Image	Monitoring	Supply	Color	Investment	Automatic log	Maintenance level	Remote maintenance	max. luminaires	Single luminaire monitoring
AMW403WL		Wireless Professional	Single battery		€€	yes	low	yes	1,000 per system	central
AMW403WL-E		Wireless Professional	Single battery		€€	yes	low	yes	1,000 per system	central

As of: 16.07.2024 - Subject to technical changes and errors.