



Art.-Nr: AMW403SC-AZ

Exit sign

Wall, SelfControl (SC), 3 h, 22 m, IP40, Zinc die-cast, Anthracite

Modern zinc die-cast emergency exit sign luminaire for surface mounting on the wall and for identifying emergency and escape routes.

It is part of the A series luminaire family, which provides solutions for any mounting and has won the German Design Award for its uniform, straight-line design.

Automatic monitoring of safety luminaire with SelfControl. The innovative integrated lens holder with a rapid fitting fixture permits the flexible use of various lens types. Using the right lens allows the distribution of light to be matched perfectly to the application and simplifies illumination which satisfies all relevant standards. A round lens and hall lens are supplied with every luminaire, allowing it to be adapted perfectly to the respective mounting situation. Other lenses, such as a spotlight lens, beam lens or H lens, are available as options.



More information

www.rp-group.com/en/item/AMW403SC-AZ



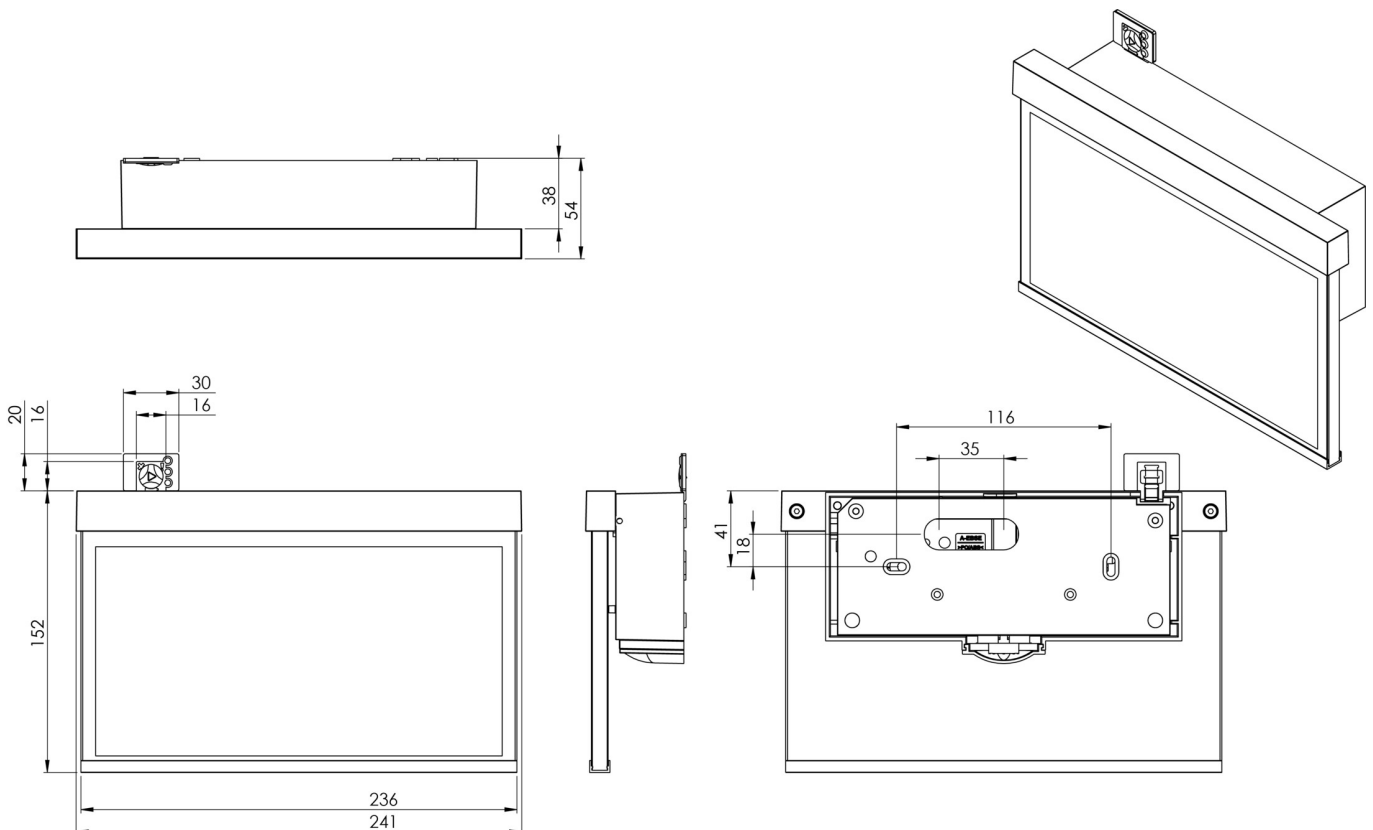
TECHNICAL DATA

| | |
|------------------------|----------------------|
| Luminaire type | Exit sign |
| Mounting | Wall |
| Recognition distance | 22 m |
| Pictograph | Set |
| Illuminant | LED |
| Housing material | Zinc die-cast |
| Housing color | Anthracite |
| Protection type (IP) | IP40 |
| Impact resistance (IK) | ≥ 3 |
| Certification | WEEE, CE, ENEC |
| Insulation class | 2 |
| Monitoring | SelfControl (SC) |
| Bridging time | 3 h |
| Battery | LiFePO4 6,4 V/1,2 Ah |
| Power max. | 4,3 W |



| | |
|------------------------|---------------|
| Power DS | 3,5 W |
| Power BS | 0,9 W |
| Ambient temperature DS | -5 °C - 40 °C |
| Ambient temperature BS | -5 °C - 40 °C |
| Depth | 50 mm |
| Width | 236 mm |
| Height | 151 mm |
| Weight | 1.33 |
| Weight incl. packaging | 1.69 |
| Customs tariff number | 94056180 |
| EAN | 4260766555091 |

TECHNICAL DRAWING





ACCESSORY LIST

BALLPLX-AM -

AM-X-APA - Surface-mounted adapter AM/AX

As of: 02.10.2024 - Subject to technical changes and errors.