



Art.-Nr: AMRA408SC

Exit sign

Wall-mounted flag, SelfControl (SC), 8 h, 22 m, IP20, Zinc die-cast, white

Modern zinc die-cast emergency exit sign luminaire for recessed mounting in the wall. Thanks to the wall bracket, the escape and emergency routes are identified at right angles to the wall. This can be done on either one or two sides.

It is part of the A series luminaire family, which provides solutions for any mounting and has won the German Design Award for its uniform, straight-line design.

Automatic monitoring of safety luminaire with SelfControl. The innovative integrated lens holder with a rapid fitting fixture permits the flexible use of various lens types. Using the right lens allows the distribution of light to be matched perfectly to the application and simplifies illumination which satisfies all relevant standards. A round lens and hall lens are supplied with every luminaire, allowing it to be adapted perfectly to the respective mounting situation. Other lenses, such as a spotlight lens, beam lens or H lens, are available as options.



More information

www.rp-group.com/en/item/AMRA408SC



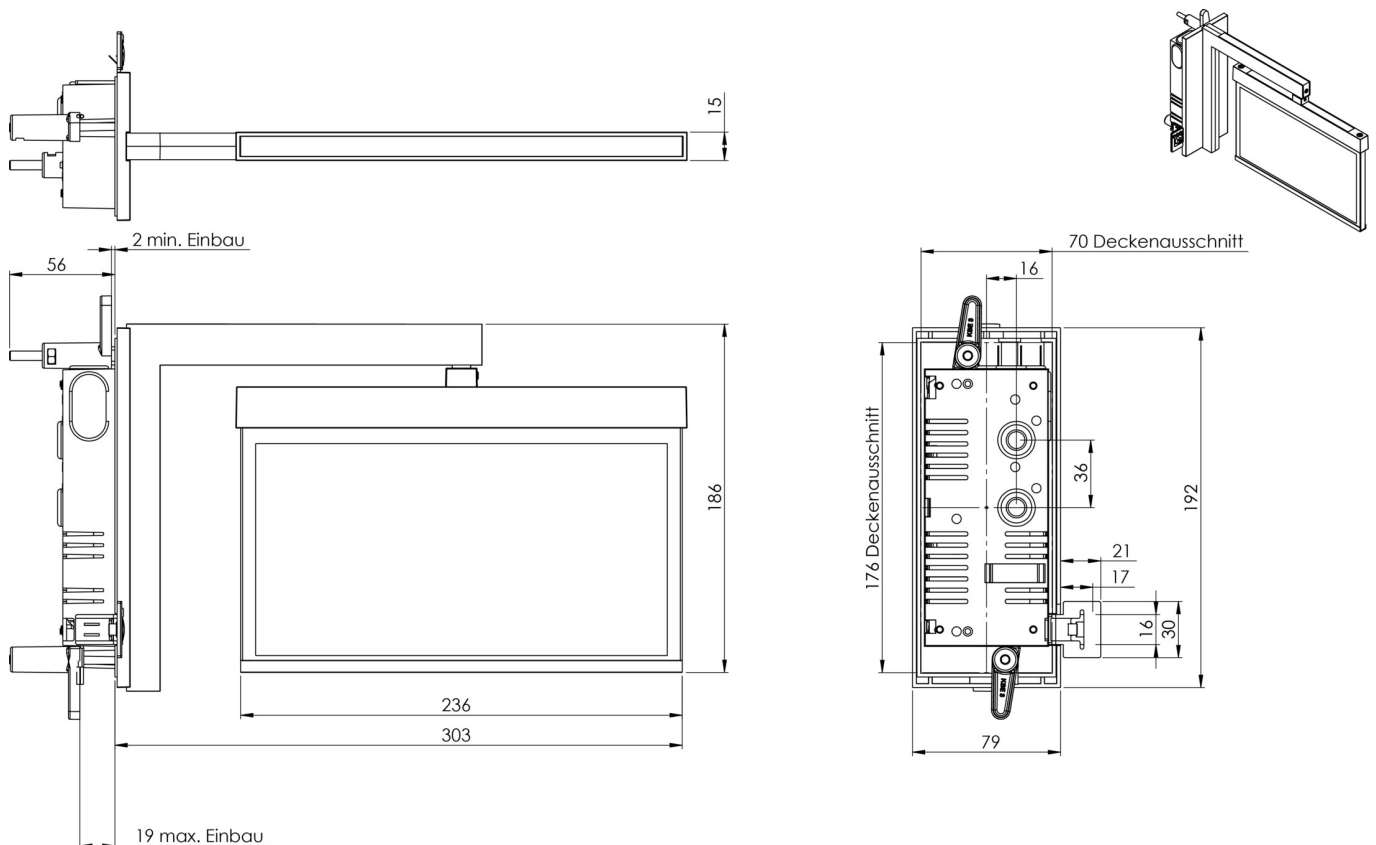
TECHNICAL DATA

Luminaire type	Exit sign
Mounting	Wall-mounted flag
Recognition distance	22 m
Pictograph	Set
Illuminant	LED
Housing material	Zinc die-cast
Housing color	white
Protection type (IP)	IP20
Impact resistance (IK)	≥ 3
Certification	WEEE, CE, ENEC
Insulation class	2
Monitoring	SelfControl (SC)
Bridging time	8 h
Battery	LiFePO4 6,4 V/1,2 Ah
Power max.	2,6 W
Power DS	1,7 W
Power BS	0,9 W
Ambient temperature DS	-5 °C - 40 °C



Ambient temperature BS	-5 °C - 40 °C
Depth	79 mm
Width	306 mm
Height	196 mm
Installation length	176 mm
Installation width	68 mm
Installation height	40 mm
Weight	1.56
Weight incl. packaging	1.92
Customs tariff number	94056080
EAN	4262483022030

TECHNICAL DRAWING





ACCESSORY LIST

AM-XBE -

As of: 05.11.2024 - Subject to technical changes and errors.