



Art.-Nr: AMCP509CC
Exit sign Centralised power supply systems
Ceiling mounting, CoreCompact 24, CPS, 22 m, IP20, Zinc die-cast, white

The AMCP is a zinc-diecast exit sign with pendant fitting for recessed ceiling mounting and for the marking of escape routes. It is part of a complete luminaire series, which features solutions for every mounting situation and was honored with the German Design Award. Luminaires of the A-Series are equipped with modern LED illuminants and offer flexibility with changeable pictograms.

LED exit sign according to EN 60598-1, EN 60598-2-22, EN 7010 and EN 1838



More information



TECHNICAL DATA

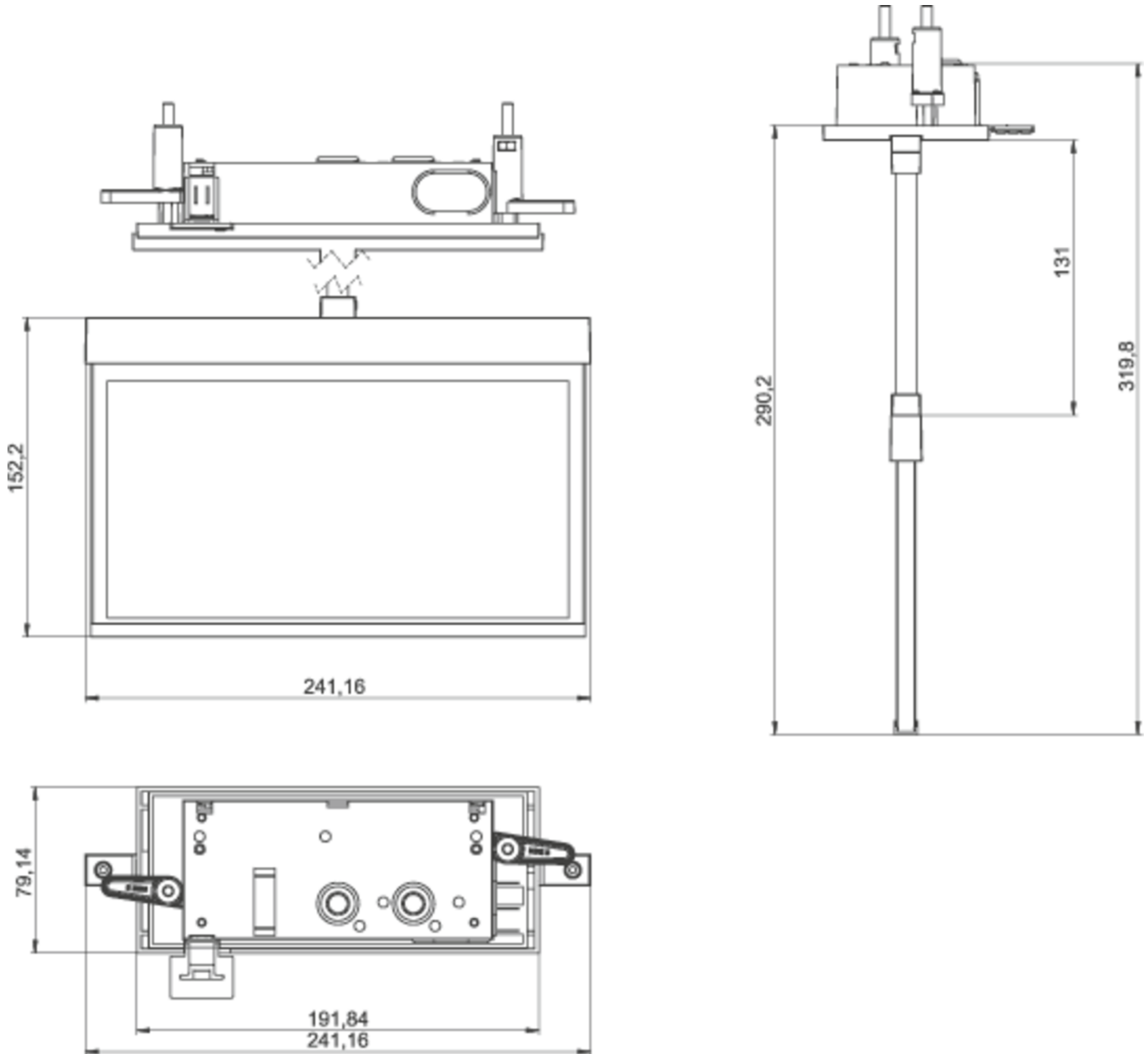
Luminaire type	Exit sign
Mounting	Ceiling mounting
Recognition distance	22 m
Pictograph	Set
Illuminant	LED
Housing material	Zinc die-cast
Housing color	white
Protection type (IP)	IP20
Impact resistance (IK)	≥ 3
Certification	WEEE, CE, ENEC
Insulation class	2
Supply	Centralised power supply systems
Monitoring	CoreCompact 24
Bridging time	CPS
Operating mode	Standby circuit / permanent circuit
Input voltage AC	24 V
Power max.	2,8 W
Power DS	2,8 W
Power BS	0,4 W
Ambient temperature DS	-5 °C - 40 °C



Ambient temperature BS	-5 °C - 40 °C
Depth	79 mm
Width	241 mm
Height	159 mm
Installation length	176 mm
Installation width	68 mm
Installation height	40 mm
Weight	1.21
Weight incl. packaging	1.57
Connection cross-section	2.5 mm ²
Switching input	No
Emergency light blocking	No
Battery connection	No
Luminous flux mains	165 lm
Luminous flux emergency	165 lm
Customs tariff number	94056180
EAN	4260682156211



TECHNICAL DRAWING








ACCESSORY LIST

- AM-XBE -
- AM-X-PKG -



RELATED PRODUCTS

Art.-No.	Image	Monitoring	Supply	Color	Investment	Automatic log	Maintenance level	Remote maintenance	max. luminaires	Single luminaire monitoring
AMEP009ML		ML	Central power supply		€€€	Yes	low	Yes	1,920 per system	central
AMEP009ML-AZ		ML	Central power supply		€€€	Yes	low	Yes	1,920 per system	central
AMEP009ML-E		ML	Central power supply		€€€	Yes	low	Yes	1,920 per system	central
AMCP509CC-AZ		CoreCompact 24	Central power supply		€€	Yes	low	Yes		central
AMCP509CC-E		CoreCompact 24	Central power supply		€€	Yes	low	Yes		central

As of: 22.07.2024 - Subject to technical changes and errors.